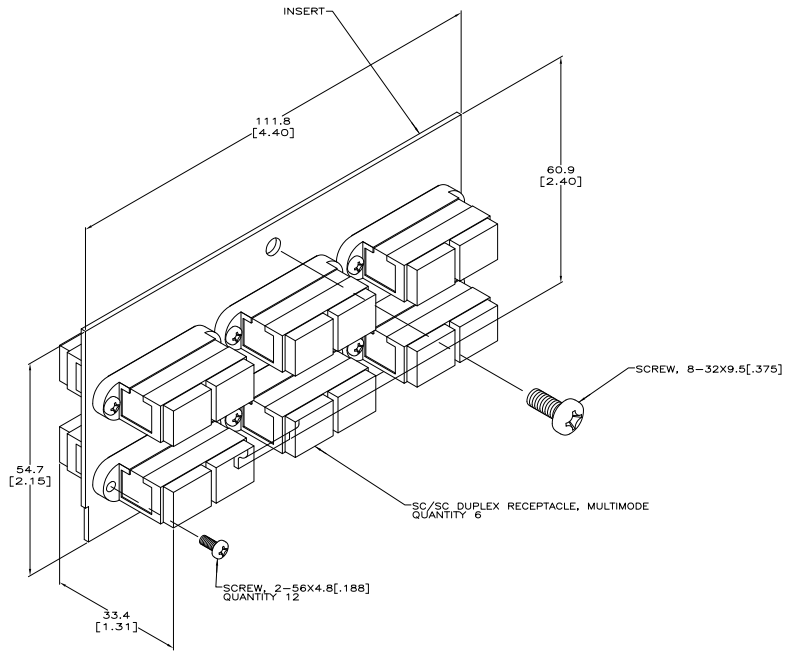


THIS DRAWING IS UNPUBLISHED. ALL RIGHTS RESERVED. NO PART OF THIS DRAWING IS TO BE REPRODUCED OR TRANSMITTED IN ANY FORM OR BY ANY MEANS, ELECTRONIC OR MECHANICAL, INCLUDING PHOTOCOPYING, RECORDING, OR BY ANY INFORMATION STORAGE AND RETRIEVAL SYSTEM.

REV	DATE	DESCRIPTION	BY	CHK	APP
B	08/01/01	ADDED -2 PER 0840-0303-01	DMOVI01	LH	SH
C	08/01/01	085 REV-ECO-18-03/09	DFW009	LH	SH
D	08/01/01	RE-ACT-1, ADD-3, REV-ECO-09-00059L	DFW009	LH	SH

△ MATERIAL:
 INSERT - 1.27±.18[.050±.007] THICK
 PREGALVANIZED G90 CARBON STEEL.
 DUPLEX RECEPTACLE HOUSING - NORLYL N-190X,
 LT ALMOND (-1), GREEN (-3).
 △ SCREW, 8-32X9.5[.375], SHIPPED LOOSE.



GREEN SC-SC	406788-3
OBsolete SINGLE-MODE	406788-2
MULTI-MODE	406788-1
DESCRIPTION	PART NO.

THIS DRAWING IS A CONTROLLED DOCUMENT.

DESIGNER	DATE	REVISED	BY	CHK	APP
SMITH	08/01/01	08/01/01	SMITH	LH	SH

TITLE: MODULE ASSEMBLY, SC/SC DUPLEX FIBER, CONSOLIDATION POINT
 DRAWING NO: A100779
 CUSTOMER DRAWING
 SCALE: 2:1
 SHEET: 1 OF 1