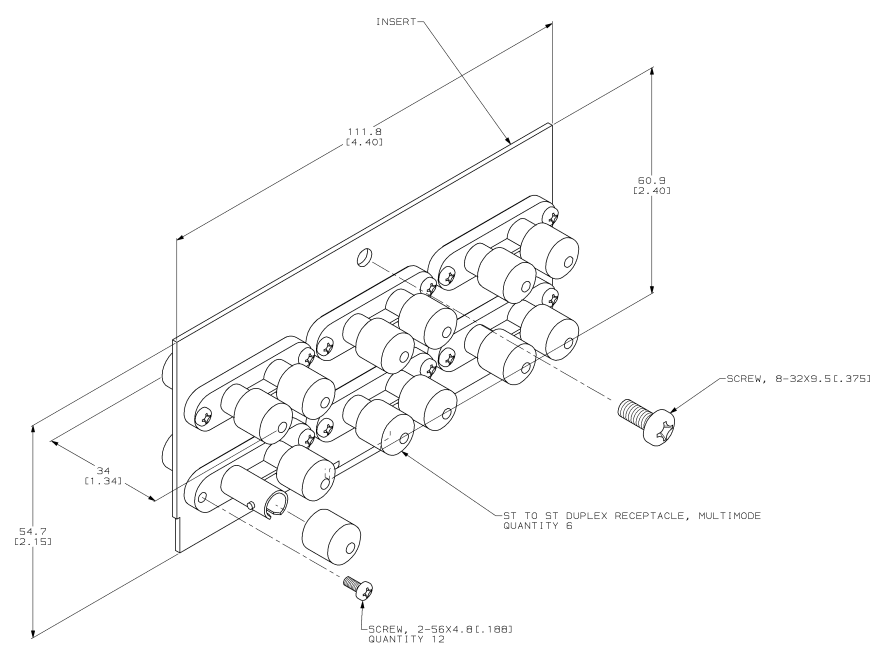


THIS DRAWING IS UNCLASSIFIED	EXCEPT FOR PORTION	DATE
BY: [redacted]	BY: AMP INCORPORATED, ALL RIGHTS RESERVED	

REV	DATE	DESCRIPTION	BY	CHK	APP
AA	28				
0		RLSD, NRR 0276-059	ELW/SP	JCS	MM

△ MATERIAL:
 INSERT - 1.27x.18(.050±.007) THICK
 PREGALVANIZED G80 CARBON STEEL.
 DUPLEX RECEPTACLE HOUSING - NORYL N-190X,
 LT ALMOND.
 △ SCREW, 8-32X9.5(.375), SHIPPED LOOSE.



406790-1
PART NO.

THIS DRAWING IS A CONTROLLED DOCUMENT.		<table border="1"> <tr> <td>DESIGNED BY</td> <td>DATE</td> </tr> <tr> <td>DR</td> <td></td> </tr> <tr> <td>CHECKED BY</td> <td>DATE</td> </tr> <tr> <td>MR</td> <td></td> </tr> <tr> <td>APPROVED BY</td> <td>DATE</td> </tr> <tr> <td>MM</td> <td></td> </tr> </table>	DESIGNED BY	DATE	DR		CHECKED BY	DATE	MR		APPROVED BY	DATE	MM		<table border="1"> <tr> <td>AMP</td> <td>AMP Incorporated</td> </tr> <tr> <td></td> <td>Harrisburg, PA 17105-3608</td> </tr> </table>	AMP	AMP Incorporated		Harrisburg, PA 17105-3608																																
DESIGNED BY	DATE																																																		
DR																																																			
CHECKED BY	DATE																																																		
MR																																																			
APPROVED BY	DATE																																																		
MM																																																			
AMP	AMP Incorporated																																																		
	Harrisburg, PA 17105-3608																																																		
<table border="1"> <tr> <td>REV</td> <td>DATE</td> <td>DESCRIPTION</td> </tr> <tr> <td>0</td> <td></td> <td>INITIALS</td> </tr> <tr> <td>1</td> <td></td> <td>INITIALS</td> </tr> <tr> <td>2</td> <td></td> <td>INITIALS</td> </tr> <tr> <td>3</td> <td></td> <td>INITIALS</td> </tr> <tr> <td>4</td> <td></td> <td>INITIALS</td> </tr> <tr> <td>5</td> <td></td> <td>INITIALS</td> </tr> <tr> <td>6</td> <td></td> <td>INITIALS</td> </tr> <tr> <td>7</td> <td></td> <td>INITIALS</td> </tr> <tr> <td>8</td> <td></td> <td>INITIALS</td> </tr> <tr> <td>9</td> <td></td> <td>INITIALS</td> </tr> <tr> <td>10</td> <td></td> <td>INITIALS</td> </tr> </table>	REV	DATE	DESCRIPTION	0		INITIALS	1		INITIALS	2		INITIALS	3		INITIALS	4		INITIALS	5		INITIALS	6		INITIALS	7		INITIALS	8		INITIALS	9		INITIALS	10		INITIALS	<table border="1"> <tr> <td>MODULE ASSEMBLY</td> </tr> <tr> <td>57/5T DUPLEX FIBER</td> </tr> <tr> <td>CONSOLIDATION POINT</td> </tr> <tr> <td>DATE CODE</td> <td>QUANTITY</td> </tr> <tr> <td>A1</td> <td>00779</td> </tr> <tr> <td colspan="2">CUSTOMER DRAWING</td> </tr> </table>	MODULE ASSEMBLY	57/5T DUPLEX FIBER	CONSOLIDATION POINT	DATE CODE	QUANTITY	A1	00779	CUSTOMER DRAWING		<table border="1"> <tr> <td>406790</td> </tr> <tr> <td>1</td> </tr> <tr> <td>1</td> </tr> <tr> <td>0</td> </tr> </table>	406790	1	1	0
REV	DATE	DESCRIPTION																																																	
0		INITIALS																																																	
1		INITIALS																																																	
2		INITIALS																																																	
3		INITIALS																																																	
4		INITIALS																																																	
5		INITIALS																																																	
6		INITIALS																																																	
7		INITIALS																																																	
8		INITIALS																																																	
9		INITIALS																																																	
10		INITIALS																																																	
MODULE ASSEMBLY																																																			
57/5T DUPLEX FIBER																																																			
CONSOLIDATION POINT																																																			
DATE CODE	QUANTITY																																																		
A1	00779																																																		
CUSTOMER DRAWING																																																			
406790																																																			
1																																																			
1																																																			
0																																																			