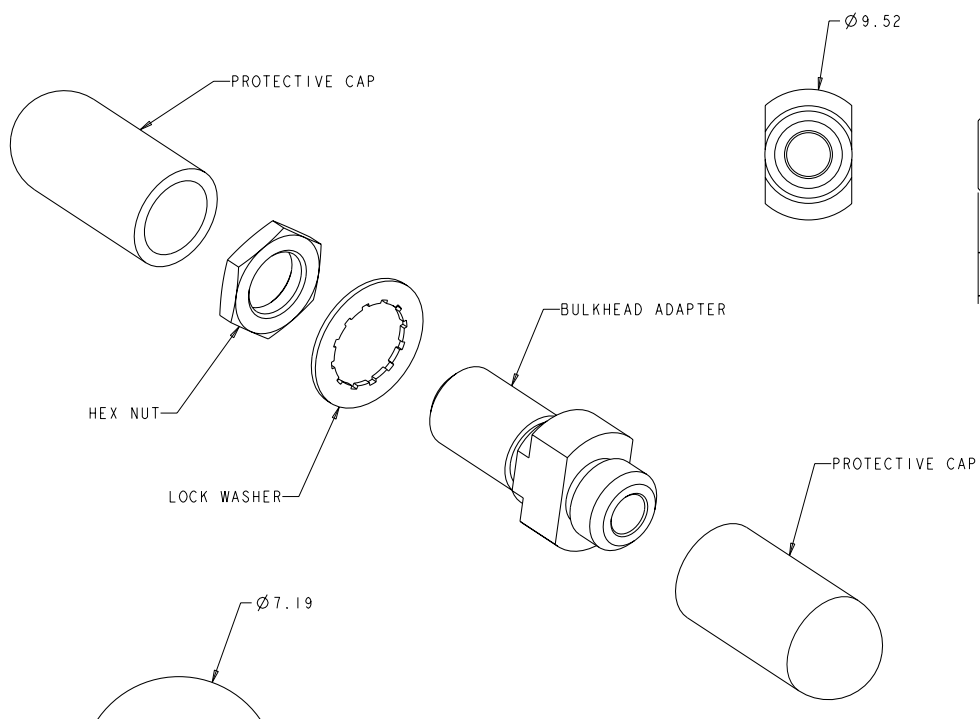
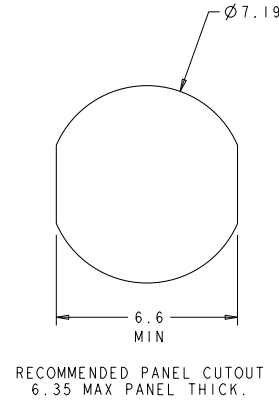


THIS DRAWING IS UNPUBLISHED. RELEASED FOR PUBLICATION BY TYCO ELECTRONICS CORPORATION. ALL RIGHTS RESERVED. COPYRIGHT 20

REV	DATE	BY	CHKD	APPROV
1	08MAY2006	BB	LS	
A	18MAR2007	JWD	LS	



⚠ MATERIAL:
 PROTECTIVE CAP: VINYL, COLOR: RED
 HEX NUT: NICKEL PLATED BRASS
 HEX ADAPTER: NICKEL PLATED BRASS
 LOCK WASHER: STAINLESS STEEL



5504026-1
 PART NUMBER

DIMENSIONS: mm 0 PLC ± 1 PLC ± 2 PLC ± 3 PLC ± 4 PLC ± ANGLES ±		TOLERANCES UNLESS OTHERWISE SPECIFIED: DIMS ±0.15 HOLE ±0.10 FINISH -		DWG: B. BRIGGS 08MAY2006 CHK: L. SAUERWEIN 08MAY2006 APD: S. BUCHTER 08MAY2006	NAME: BULKHEAD ASSEMBLY, FSMA ADAPTER TITLE: CUSTOMER DRAWING SCALE: 5:1 SHEET: 1 OF 1 REV: A	Tyco Electronics Harrisburg, PA 17105-3608	RESTRICTED TO: -
---	--	--	--	--	---	---	------------------