

4

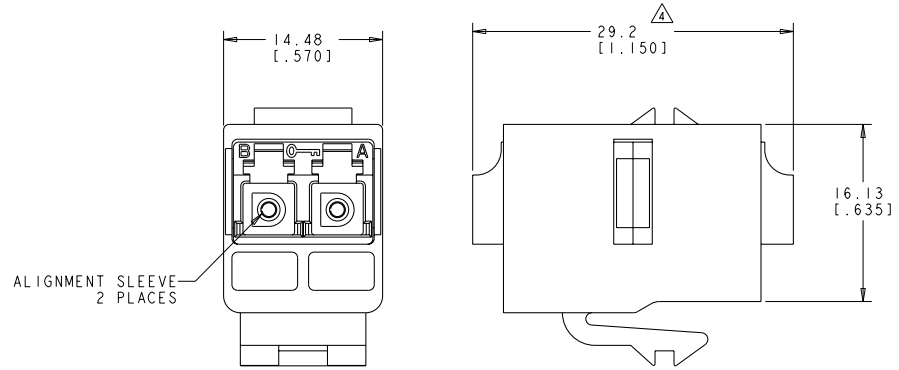
3

2

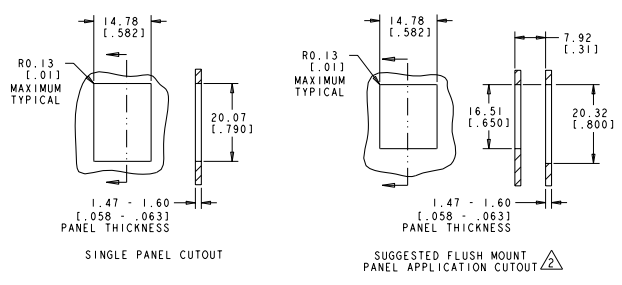
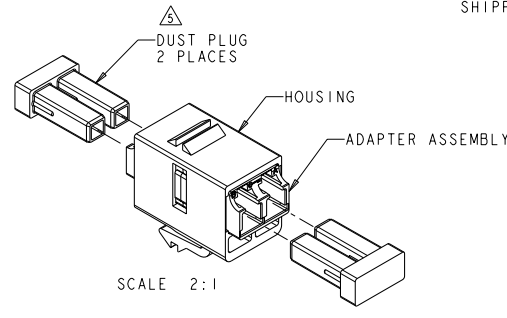
1

THIS DRAWING IS UNPUBLISHED. RELEASED FOR PUBLICATION. COPYRIGHT © BY TYCO ELECTRONICS CORPORATION. ALL RIGHTS RESERVED.

LOC	DIST	REVISIONS					
		P	LYR	DESCRIPTION	DATE	BY	APPR
HM	00	A		NSD07-063	020CT2007	JM	GB



- △ MATERIAL:
- HOUSING - POLYPHENYLENE OXIDE, 94V-0 RATED. SEE TABLE FOR COLOR.
 - ADAPTER ASSEMBLY - HOUSINGS - THERMOPLASTIC, PPE-PS*, SEE TABLE FOR COLOR
 - ALIGNMENT SLEEVES - CERAMIC
 - DUST PLUGS: THERMOPLASTIC ELASTOMERS*
- *UL 94V-0 RATED AT QUALIFYING THICKNESS
- △ THESE TWO SUGGESTED CUTOUT OPENINGS ARE USED IN TANDEM WITH DUAL FRONT AND BACK CUTOUTS.
- △ PACKAGED ONE ASSEMBLY PER POLYBAG.
- △ DIMENSION APPLIES WITH DUST PLUGS REMOVED.
- △ DUST PLUGS SHOWN NOT ASSEMBLED BUT SHIPPED ASSEMBLED TO DUPLEX LC ADAPTER.



PACKAGE	COLOR	PART NUMBER
	BLACK	I-1933422-1
	SLATE	I-1933422-0
	ORANGE	1933422-9
	VIOLET	1933422-8
	BROWN	1933422-7
	AQUA	1933422-6
	ROSE	1933422-5
	BLUE	1933422-4
	GREEN	1933422-3
	YELLOW	1933422-2
	RED	1933422-1

<small>TOP DIMENSIONS ARE CONTROLLING DIMENSIONS FOR THE CUSTOMER'S CONVENIENCE. DIMENSIONS IN PARENTHESES ARE FOR THE MANUFACTURER'S CONVENIENCE.</small>		DWG: 020CT2007 CDR: J MCNEAL APPR: G BOWMAN DATE: 020CT2007	Tyco Electronics Harrisburg, PA 17105-3608
DIMENSIONS: MM (INCHES) OPERATING SPEC: 0 PLC ±, 1 PLC ±, 2 PLC ±, 3 PLC ±, 4 PLC ±, ANGLES ±	PRODUCT SPEC: - APPLICATION SPEC: - WEIGHT: - FINISH: -	NAME: ADAPTER, DUPLEX, LC, SECURE, SL CASE CODE: A2 DRAWING NO: 1933422	RESTRICTED TO: - SCALE: 4:1 SHEET: 1 OF 1 REV: A