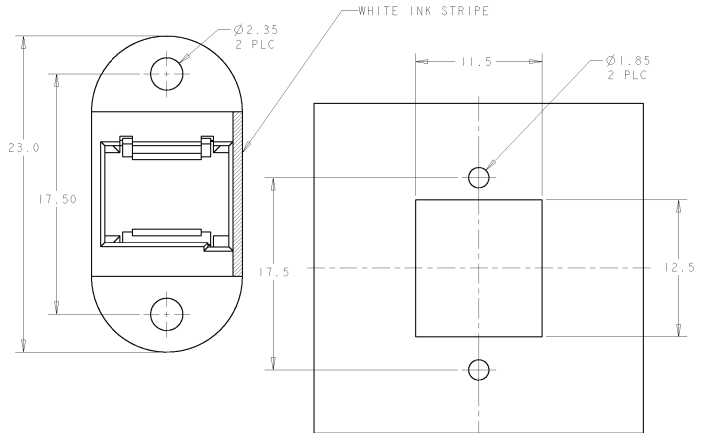
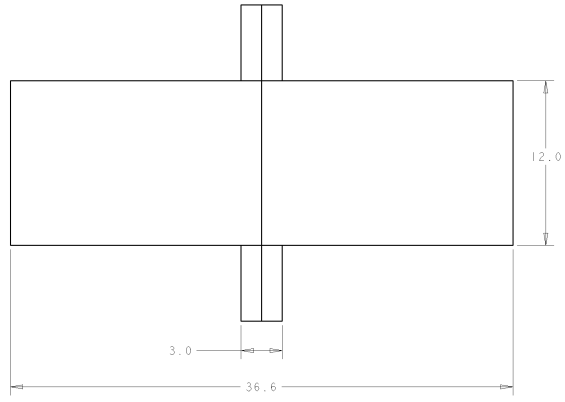
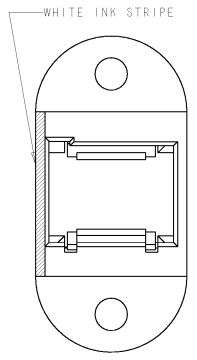
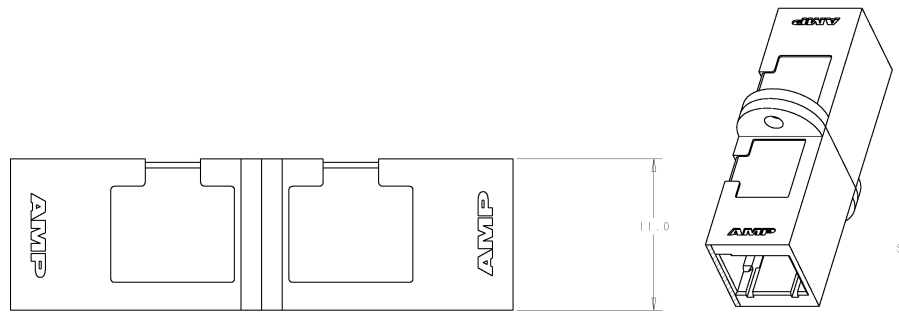


REV	DATE	BY	APPROVED	DESCRIPTION
D	01/18/2004	EM	AP	REV PER EC 0000-0172-04



**NOTE:**  
 1. HOUSING MATERIAL: PBT 30% GLASS FILLED, UL 94 V-0  
 COLOR: BLACK

492305-1  
 PART NUMBER

<small>THIS DRAWING IS UNPUBLISHED. RELEASED FOR PUBLICATION. ALL RIGHTS RESERVED. COPYRIGHT © BY AMP INCORPORATED. ALL RIGHTS RESERVED.</small>		SALES <b>R. HILLEMAN</b> 2-20-97 CHIEF <b>E. HALEY</b> 3-31-97 VP <b>F. ABENDSCHEIN</b> 3-31-97	<b>AMP</b> Incorporated Harrisburg, PA 17105-3600
DIMENSIONS: mm	DIMENSIONS (INCHES): DECIMALS (INCHES) FRACTIONS (INCHES)	PRODUCT SPEC APPLICATION SPEC WEIGHT CUSTOMER DRAWING	TITLE <b>COUPLING HOUSING ASSEMBLY,                  LIGHTRAY MPX CONNECTOR</b>
MATERIAL FINISH	DIMENSIONS (INCHES): DECIMALS (INCHES) FRACTIONS (INCHES)	CASE CODE <b>A2 00779</b>	DRAWING NO. <b>492305</b>
		SCALE 5:1	SHEET 1 OF 1