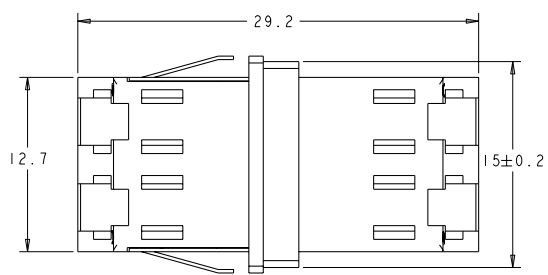
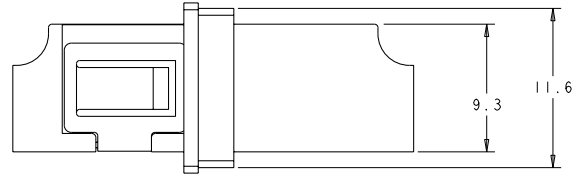


LOC		DIST		REVISIONS			
P	LYR	DESCRIPTION	DATE	BY	APPD		
A		RELEASE PER ECO-06-021283	06SEP2004	DHR	DHR		



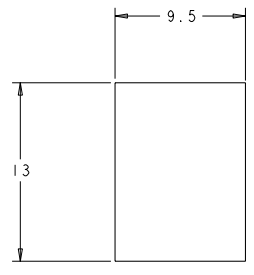
RETENTION CLIP RECEPTACLE HOUSING



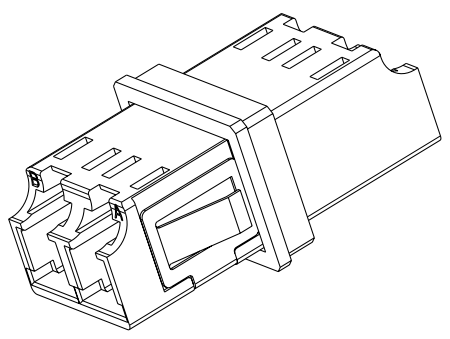
EMI GASKET

- △ MATERIAL:
 HOUSING: ZINC DIE CAST
 PROTECTIVE CAPS: THERMOPLASTIC ELASTOMER
 ALIGNMENT SLEEVE: CERAMIC
 RETENTION CLIP: STAINLESS STEEL
 GASKET: CONDUCTIVE FOAM
- △ FINISH:
 HOUSING: ELECTROLESS NICKEL OVER COPPER

- PROTECTIVE CAPS (DUPLEX) ARE SUPPLIED, BUT NOT SHOWN.
- RECOMENDED PANEL THICKNESS 1.60 ± .13.



RECOMMENDED PANEL CUTOUT



1754727-1
 PART NUMBER

DIMENSIONS:		TOLERANCES UNLESS OTHERWISE SPECIFIED:		OWN	17JUN2004	Tyco Electronics Harrisburg, PA 17105-3608
mm		0.15		B. BRIGGS	17JUN2004	
0.15		0.15		CD	17JUN2004	ASSEMBLY, DUPLEX LC RECEPTACLE, SR-SR, EMI FLANGE
0.15		0.15		APRD	17JUN2004	
0.15		0.15		NAME		RESTRICTED TO
0.15		0.15		B. EDWARDS		
0.15		0.15		APPLICATION SPEC		SCALE 5:1 SHEET 1 OF 1 REV A
0.15		0.15		WEIGHT		
0.15		0.15		MATERIAL		
0.15		0.15		CUSTOMER DRAWING		