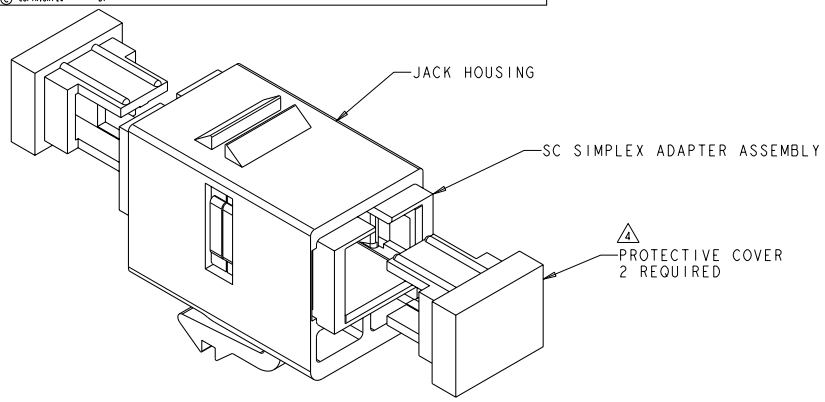
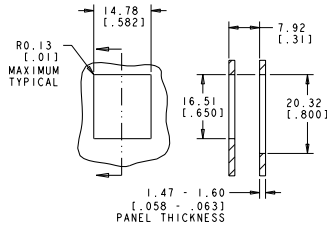
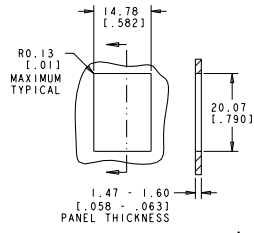
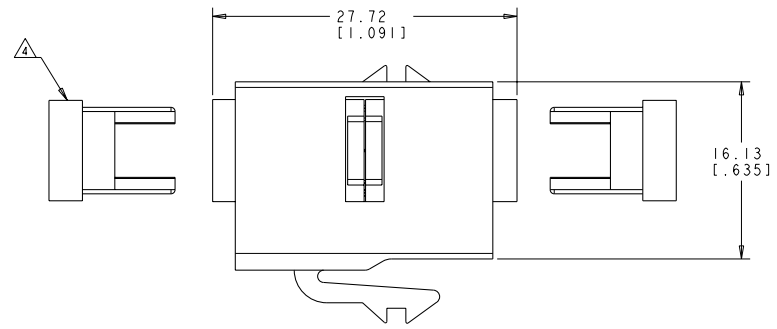
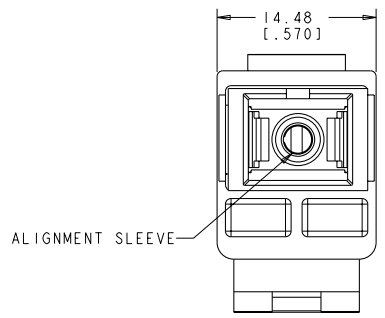


LOC	DISP	REV	DATE	BY	APPD
HM	00				
		C	REV: ECO-11-007274	08APR2011	GG RA



- ⚠ MATERIAL: JACK HOUSING - POLYPHENYLENE OXIDE, 94V-0 RATED. SEE TABLE FOR COLOR. SC DUPLEX ADAPTER HOUSING - ULTEM 1010R, BLACK. SLEEVE - CERAMIC.
- ⚠ THESE TWO SUGGESTED CUTOUT OPENINGS ARE USED IN TANDEM WITH DUAL FRONT AND BACK CUTOUTS.
- ⚠ PACKAGED ONE ASSEMBLY PER POLYBAG.
- ⚠ PROTECTIVE COVERS SHIPPED ASSEMBLED BUT SHOWN NOT ASSEMBLED.



PACKAGE HOUSING COLOR	PART NUMBER
ELECTRIC IVORY	1-1499836-1
GREEN	1499836-9
RED	1499836-7
GRAY	1499836-4
WHITE	1499836-3
BLACK	1499836-2
LIGHT ALMOND	1499836-1

THIS DRAWING IS A CONTROLLED DOCUMENT. DATE: 17 JAN 2006

DESIGNED BY: G. GARRETT
 CHECKED BY: G. BOWMAN
 APPROVED BY: G. BOWMAN

TE Connectivity
TE
 ASSEMBLY, SC ADAPTER, CERAMIC SLEEVE, SL SERIES

APPLIC. SPEC: -
 WEIGHT: -
 MATERIAL: -
 FINISH: -

SIZE: A2
 CASE CODE: 00779
 DRAWING NO: 1499836

CUSTOMER DRAWING
 SCALE: 4:1
 SHEET 1 OF 1
 REV C