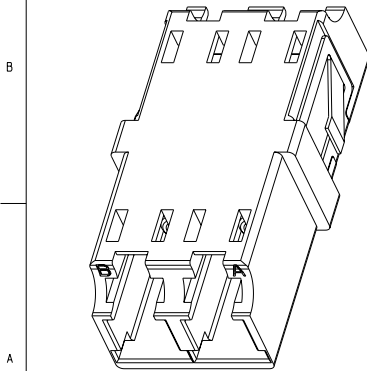
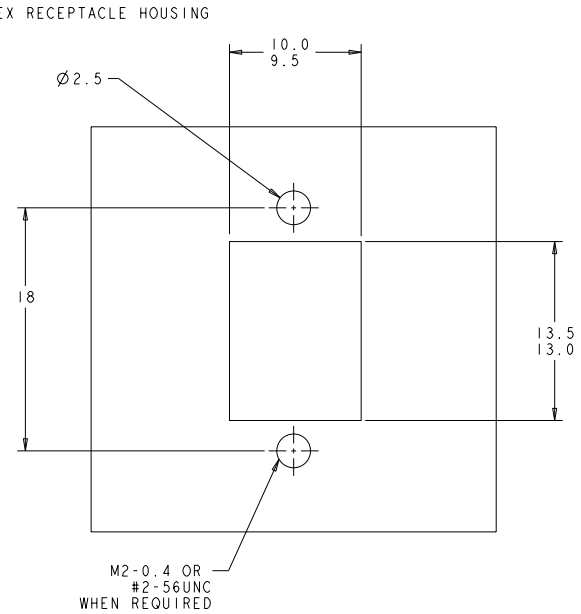
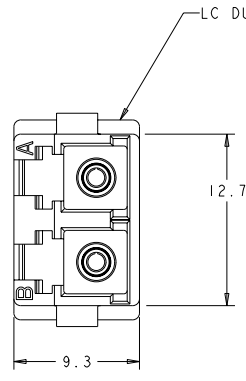
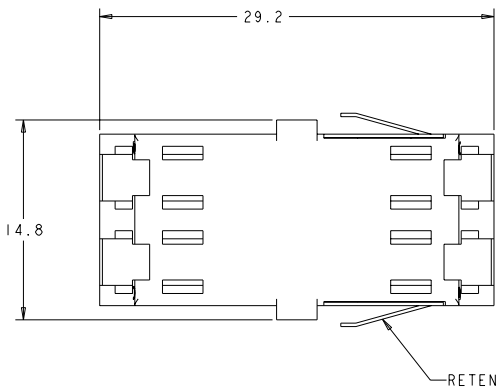


THIS DRAWING IS UNPUBLISHED. RELEASED FOR PUBLICATION
 © COPYRIGHT 20 BY TYCO ELECTRONICS CORPORATION. ALL RIGHTS RESERVED.

LOC		DIST		REVISIONS			
P	LYR	DESCRIPTION	DATE	BY	APPD		
A		REL PER ECO-06-002305	20FEB2006	DHR	DHR		



- ⚠ MATERIAL:
 HOUSING: ZINC DIE CAST
 PROTECTIVE CAPS: THERMOPLASTIC ELASTOMER
 ALIGNMENT SLEEVE: CERAMIC
 RETENTION CLIP: STAINLESS STEEL
- ⚠ FINISH:
 HOUSING: ELECTROLESS NICKEL OVER COPPER
- 3. PROTECTIVE CAPS (DUPLEX) ARE SUPPLIED, BUT NOT SHOWN.

RECOMMENDED PANEL CUTOUT
 PANEL THICKNESS 1.2-1.7
 SCALE 5:1

1754682-1
 PART NUMBER

<small>NOT A DIMENSION. IT IS A POSITIONAL DIMENSION OF THE POSITIONAL TOLERANCE ZONE. ONLY IF THE POSITIONAL TOLERANCE ZONE IS SHOWN BY A POSITIONAL TOLERANCE FEATURE CONTROL FRAME.</small>		DWN: D. BRIGGS 17JUN2004 CHK: D. ROHDE 17JUN2004 APD: E. EDWARDS 17JUN2004	Tyco Electronics Harrisburg, PA 17105-3600
DIMENSIONS: mm	TOLERANCE UNLESS OTHERWISE SPECIFIED: 0 PLC ±0.1 1 PLC ±0.1 2 PLC ±0.1 3 PLC ±0.1 4 PLC ±0.1 5 FINE	NAME: ASSEMBLY, DUPLEX LC RECEPTACLE, SR-SR FLANGELESS PRODUCT SPEC: APPLICATION SPEC:	SIZE: A2 CASE CODE: 00779 DRAWING NO: 1754682 RESTRICTED TO:
MATERIAL:	FINISH:	WEIGHT:	CUSTOMER DRAWING: