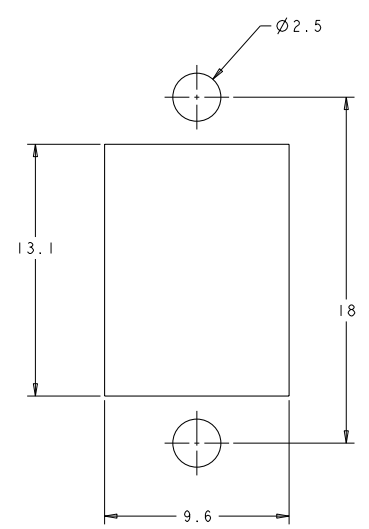
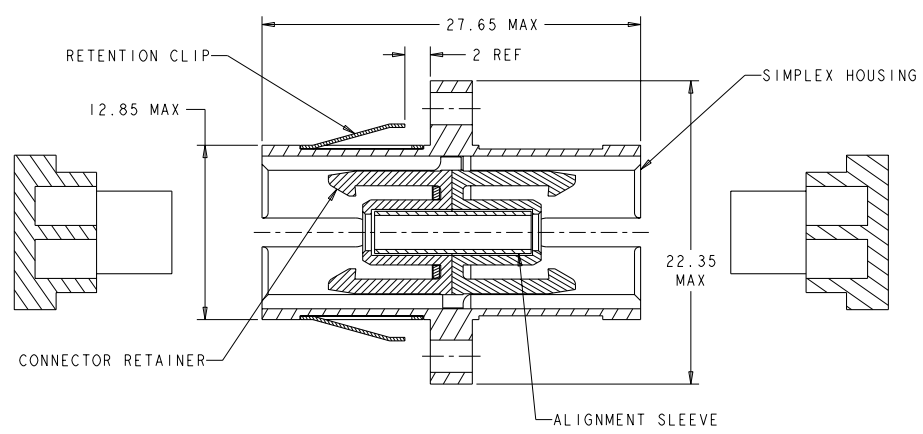
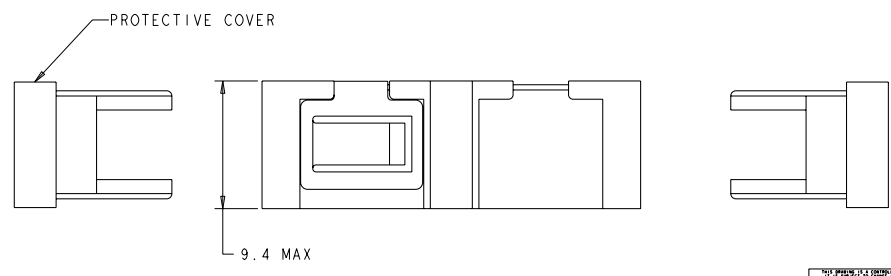


REVOLUTIONS		DATE	BY	APPROV
P	LYA			
C	REVISE PER ECR-08-009217	16APR2008	BB	SM

**MATERIAL:**  
 HOUSING: PBT-GF30, COLOR: GREEN.\*  
 RETAINER: PEI-GF30, COLOR: BLACK.\*  
 ALIGNMENT SLEEVE: CERAMIC.  
 PROTECTIVE COVER: TPE, COLOR: BLACK.\*  
 RETENTION CLIP: STAINLESS STEEL.  
 \*UL94 V-0 RATED AT QUALIFYING THICKNESS.



SUGGESTED PANEL CUTOUT  
 MAX PANEL THICKNESS 1.7



1828028-2  
 PART NUMBER

DIMENSIONS: mm		TO: B. BRIGGS 21OCT2004 C. S. MILLER 21OCT2004 APPROV: S. BUCHTER 21OCT2004	Tyco Electronics Harrisburg, PA 17105-3608
TO: BRANDS ANALYSIS		PRODUCT SPEC: APPLICATION SPEC: WEIGHT: CUSTOMER DRAWING	ADAPTER, SC/APC SHEET CASE CODE DRAWING NO: A200779 ©=1828028 SCALE 5:1 SHEET 1 OF 1 REV C
MATERIAL: FINISH:		RESTRICTED TO:	RESTRICTED TO: