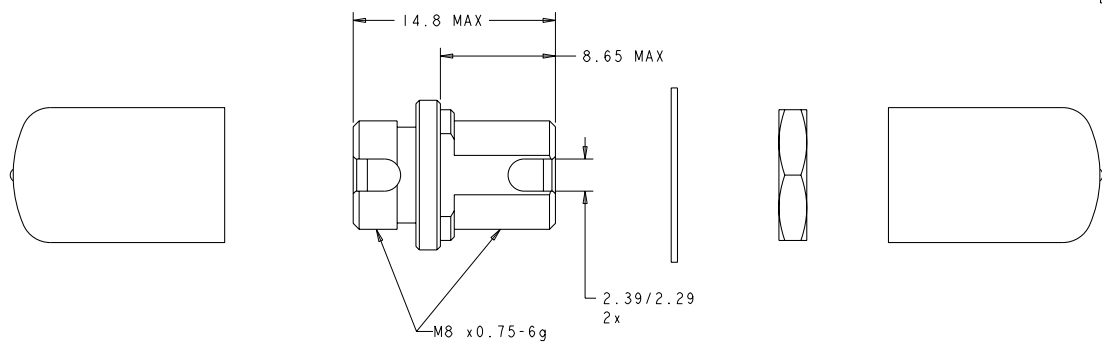
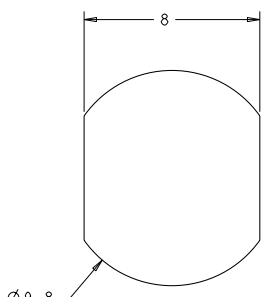
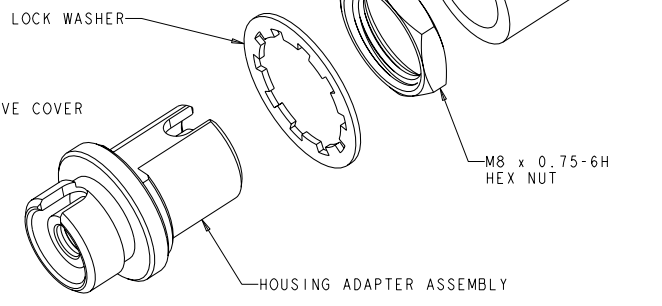


THIS DRAWING IS UNPUBLISHED. RELEASED FOR PUBLICATION BY TYCO ELECTRONICS CORPORATION. ALL RIGHTS RESERVED. COPYRIGHT © BY TYCO ELECTRONICS CORPORATION. ALL RIGHTS RESERVED.

LOC		DIST		REVISIONS			
P	LYR	DESCRIPTION	DATE	BY	APP		
A		RELEASE TO ACTIVE	07JUN2006	BB	SM		



△ MATERIAL:
 HOUSING: NICKEL PLATED BRASS
 ADAPTER INSERT: NICKEL PLATED BRASS
 HEX NUT: NICKEL PLATED BRASS
 SLEEVE: PHOSHER BRONZE
 LOCK WASHER: STAINLESS STEEL
 PROTECTIVE COVER: VINYL, COLOR: RED



SUGGESTED PANEL CUTOUT
 MAXIMUM PANEL THICKNESS 1.65
 SCALE 8:1

5504013-1
 PART NUMBER

DIMENSIONS: mm		TO BE MADE TO ORDER OPERATING SPECIFICATIONS		DWG: B. BRIGGS 08DEC2005 CHK: S. MILLER 08DEC2005 APPR: S. BUCHTER 08DEC2005	NAME: Tyco Electronics Harrisburg, PA 17105-3608
MATERIAL: △		FINISH: -		PRODUCT SPEC: - APPLICATION SPEC: - WEIGHT: - CUSTOMER DRAWING: -	NAME: RECPTACLE, FC, STANDARD SLOT SHEET: A200779 CASE CODE: - DRAWING NO: - PART NO: 5504013
				SCALE: 5:1	SHEET: 1 OF 1 REV: A