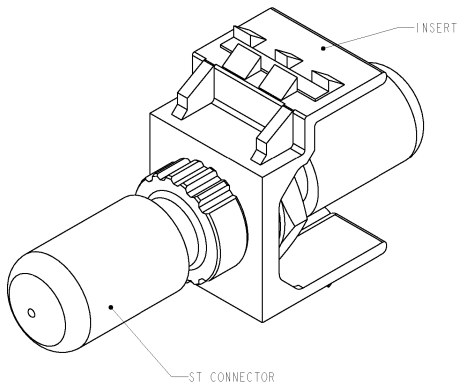
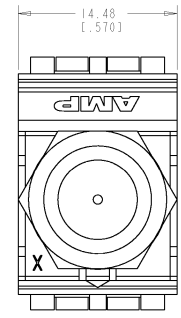
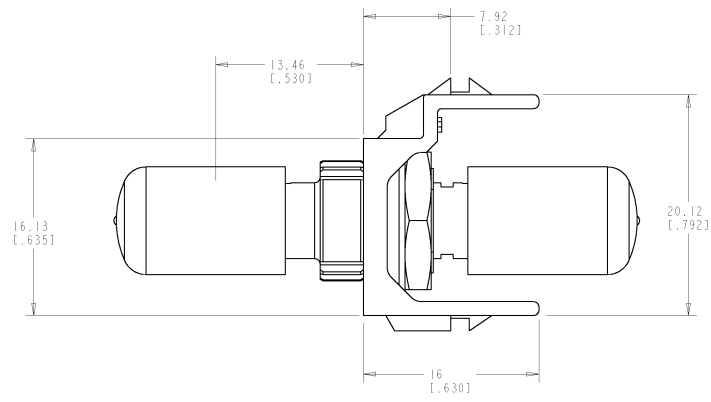


REV	DATE	DESCRIPTION	BY	CHKD
0	15SEP99	RELEASED, NPR PT99-005	TLP	RM
A	19NOV99	REV: EC 0040-0083-01	DMH/HI	GB



△ MATERIAL:
 INSERT: ABS MOLDING COMPOUND.
 SEE TABLE FOR COLOR.
 CONNECTOR: NICKEL PLATED ZINC.



COLOR	PART NO
ELEC IVORY	1-1339123-1
NEMA GRAY	1339123-4
WHITE	1339123-3
BLACK	1339123-2
LT ALMOND	1339123-1

DIMENSIONS: mm(INCHES)		TOLERANCES UNLESS OTHERWISE SPECIFIED: DIMENSIONS: .005 ANGLES: .005		DWN: T. ELITS 15SEP99 CHN: B. MARTIN 19NOV99 APTR: B. MARTIN 09DEC99		AMP Incorporated Harrisburg, PA 17105-3408	
MATERIAL: - FINISH: -		PRODUCT SPEC: - APPLICATION SPEC: - WEIGHT: -		SIZE: A2 CASE CODE: 00779 DRAWING NO: 1339123		RESTRICTED TO: - SCALE: 4:1 SHEET: 1 OF 1 REV: A	
CUSTOMER DRAWING				KIT, ST CONNECTOR, INSERT SL SERIES		PDM MODEL REV: 0.3+ PDM DWG REV: 0.3+	