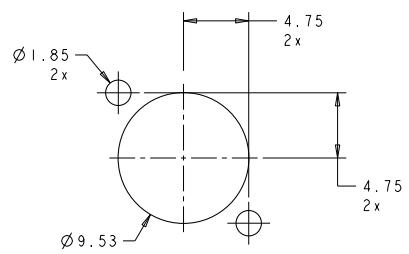
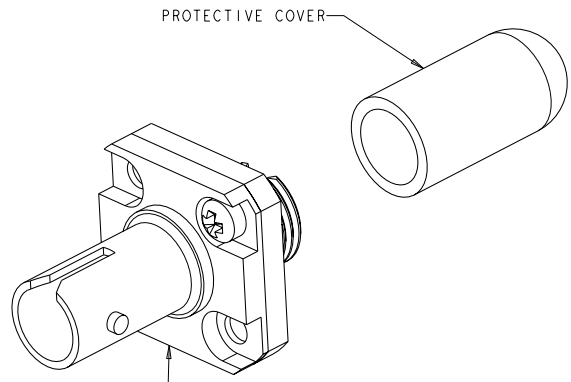


LOC	DIST	REVISIONS			
P	LYA	DESCRIPTION	DATE	BY	APPR
A		RELEASE TO ACTIVE	07JUN2006	BB	SM



SUGGESTED PANEL CUTOUT
RECOMMENDED PANEL THICKNESS 1.6±0.1

△ MATERIAL:
HOUSING: NICKEL PLATED BRASS
SLEEVE: PHOSHER BRONZE
SLEEVE: ZIRCONIA
SCREW: STAINLESS STEEL
PROTECTIVE COVER: PVC, COLOR: RED, NON-FR

CERAMIC	5503640-2
METAL	5503640-1
ALIGNMENT SLEEVE	PART NUMBER

DIMENSIONS: mm		OPERATING SPECIFICS: 0 PLC ± 1 PLC ± 2 PLC ± 3 PLC ± 4 PLC ± ANGLES ± FINISH		DWG: B. BRIGGS 03JAN2006 CHK: S. MILLER 03JAN2006 APD: S. BUCHTER 03JAN2006	Tyco Electronics Harrisburg, PA 17105-3608
MATERIAL: △ -		WEIGHT: -		SHEET: A2 CASE CODE: 00779 DRAWING NO: 5503640	RESTRICTED TO: -
CUSTOMER DRAWING				SCALE: 5:1	SHEET 1 OF 1 REV A