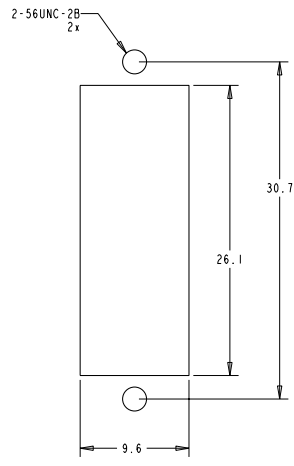
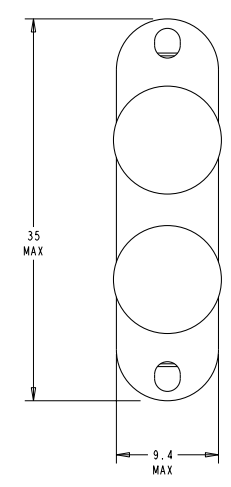
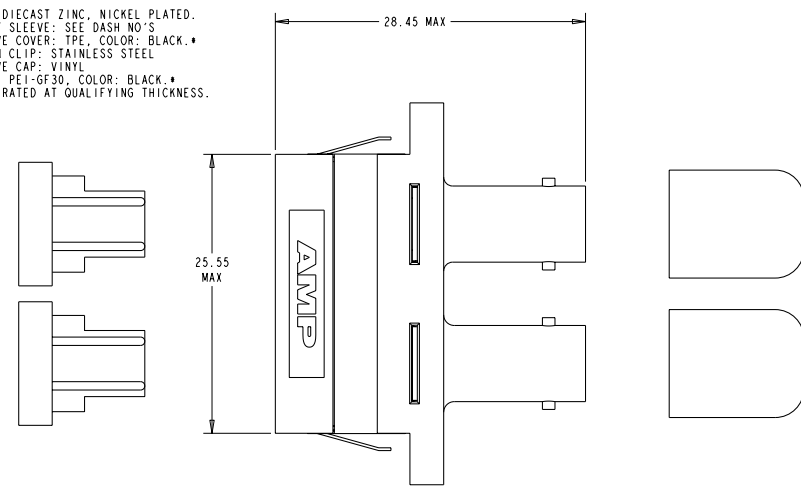
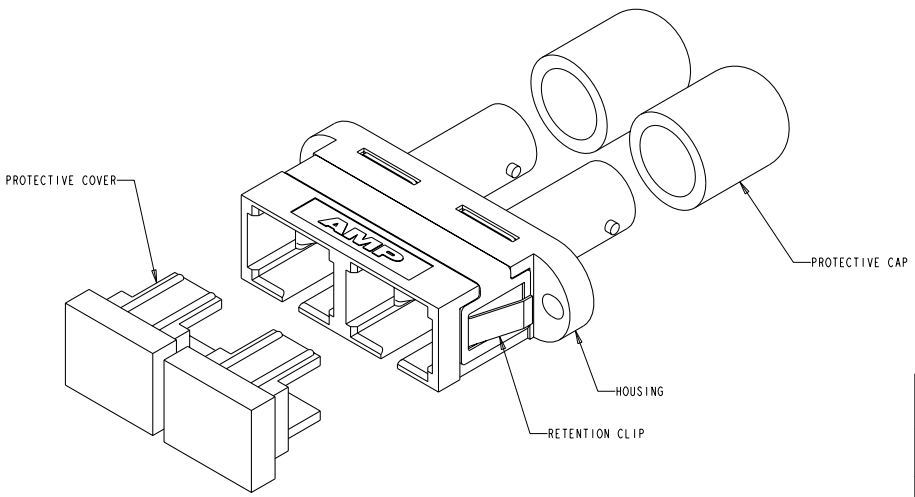


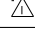

**MATERIAL:**  
 HOUSING: DIECAST ZINC, NICKEL PLATED.  
 ALIGNMENT SLEEVE: SEE DASH NO'S  
 PROTECTIVE COVER: TPE, COLOR: BLACK.\*  
 RETENTION CLIP: STAINLESS STEEL  
 PROTECTIVE CAP: VINYL  
 RETAINER: PEI-GF30, COLOR: BLACK.\*  
 \*UL94 V-0 RATED AT QUALIFYING THICKNESS.



SUGGESTED PANEL CUTOUT  
MAX. PANEL THICKNESS 1.7



CERAMIC	6278051-3
METAL	6278051-1
ALIGNMENT SLEEVE	PART NO

<small>THIS DRAWING IS UNPUBLISHED. RELEASED FOR PUBLICATION. ALL RIGHTS RESERVED.</small>		DWG: B. BRIGGS 17MAY2005 CHK: S. MILLER 17MAY2005 APPR: S. BUCHTER 17MAY2005	AMP Incorporated Harrisburg, PA 17105-3608
DIMENSIONS: mm	TOLERANCES UNLESS OTHERWISE SPECIFIED: 0 PLC ±.1 1 PLC ±.1 2 PLC ±.05 3 PLC ±.1 4 PLC ±.1 ANGLES ±.1	NAME: ASSEMBLY, DUPLEX RECEPTACLE, SC/ST DIECAST HOUSING APPLICATION SPEC: - WEIGHT: - FINISH: -	SIZE: A2 CASE CODE: 00779 DRAWING NO: 6278051 RESTRICTED TO: -
MATERIAL: 		CUSTOMER DRAWING	SCALE: 4:1 SHEET 1 OF 1 REV A