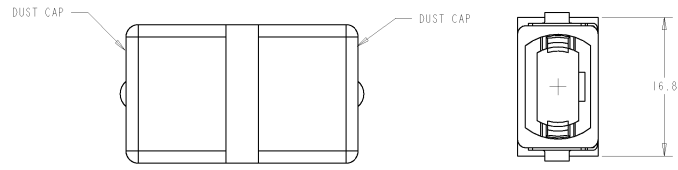
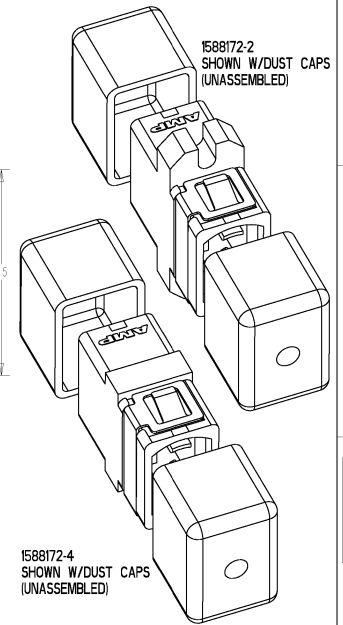
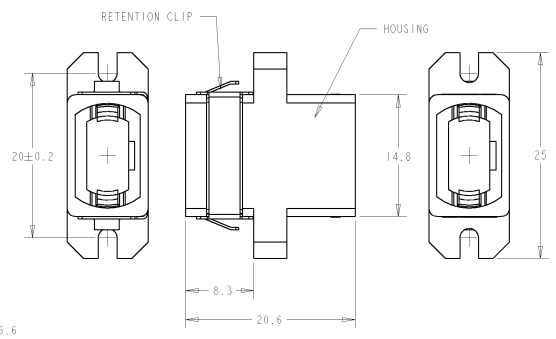
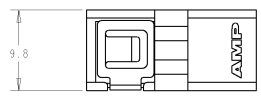
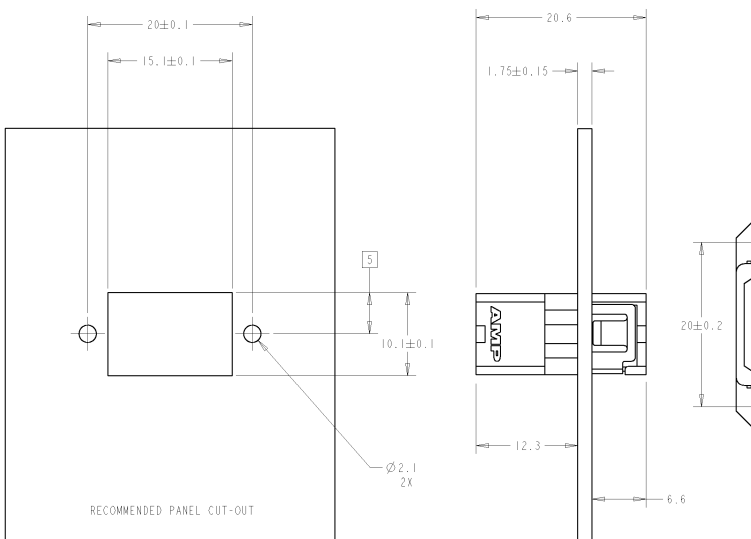


THIS DRAWING IS UNPUBLISHED. RELEASED FOR PUBLICATION BY TYCO ELECTRONICS CORPORATION. ALL RIGHTS RESERVED.

REV	DATE	BY	CHKD	DESCRIPTION
A	08DEC2001	LGE	-	REL PER DA00-0405-01
B	09MAY02	DEH	LAB	REV PER ECN DA00-270-02
C	12MAY03	LGE	FA	REL PER EC DA00-0220-03
D	24MAY05	LGE	FA	REL PER EC DA00-0174-05



**1588172-3**  
(WITHOUT FLANGE)  
SHOWN W/DUST CAPS  
ASSEMBLED

**1588172-3**  
(WITHOUT FLANGE)

**1588172-4**  
(WITHOUT FLANGE)  
(WITH CLIP)

- NOTES:
1. MOUNTS IN 1.75mm BULKHEAD.
  2. (OPTIONAL) USE #2 SCREWS AND NUTS (NOT PROVIDED).
  3. MEETS THE ADAPTER INTERFACE DIMENSIONS AS SPECIFIED IN IEC 61754-7.
  4. COLOR: BLACK.
5. BULK PACK 50 PCS.

DESCRIPTION	PART NO.
MPO ADAPTER W/FLANGE	1588172-10
MPO ADAPTER W/FLANGE, AND CLIP	1588172-9
MPO ADAPTER W/O FLANGE W/ CLIP	1588172-8
MPO ADAPTER W/O FLANGE	1588172-7
MPO ADAPTER W/ FLANGE AND CLIP	1588172-6
MPO ADAPTER W/ FLANGE	1588172-5
MPO ADAPTER W/O FLANGE AND W/CLIP	1588172-4
MPO ADAPTER W/O FLANGE	1588172-3
MPO ADAPTER W/FLANGE, AND CLIP	1588172-2
MPO ADAPTER W/FLANGE	1588172-1

DIMENSIONS: mm 	DIMENSIONS: mm 0 PLC ±.1 1 PLC ±.1 2 PLC ±.05 3 PLC ±. ANGLES ±. FINISH	DWG: 08DEC2001 CDR: JG EBY CD: ROHDE APP: E. ABENDSCHNIG PRODUCT SPEC: APPLICATION SPEC: WEIGHT: CUSTOMER DRAWING	DATE: 08DEC2001 BY: JG EBY CHECKED: ROHDE DRAWING NO: A2100779 SCALE: NTS SHEET: 1 OF 1 REV: D	<b>tyco</b> <b>Electronics</b> Tyco Electronics Harrisburg, PA 17105-3600	MPO ADAPTER ASSY, RETENTION CLIP AND PANEL ASSY.	RESTRICTED TO:
-----------------------	--	--	--	--	--	----------------