

4

3

2

1

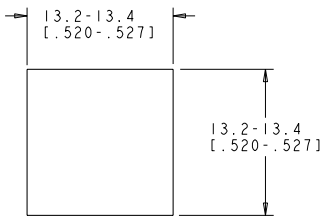
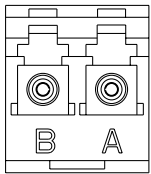
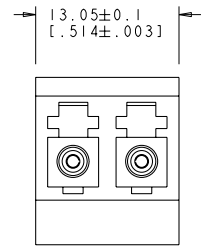
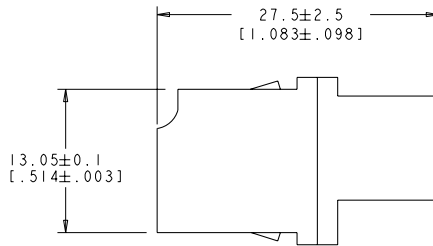
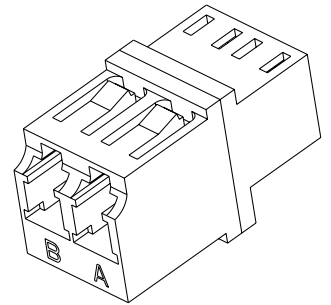
THIS DRAWING IS UNPUBLISHED. RELEASED FOR PUBLICATION
 BY TYCO ELECTRONICS CORPORATION. ALL INTERNATIONAL RIGHTS RESERVED.

REV	DESCRIPTION	DATE	BY	APP'D
D	REV PER 0A00-0560-03	17NOV2003	EJH	MC
E	REV PER 0A00-0023-05	14JAN2005	DHR	DHR
E1	REVISED PER ECO-10-000445	23JAN2010	KK	HMR
E2	REV PER ECR-10-016231	09AUG2010	IL	CT

△ MATERIAL:
 HOUSING: PEI, UL 94 V-0 RATED AT QUALIFYING THICKNESS.
 DUST COVERS: PP, COLOR: WHITE, UL 94 HB RATED AT QUALIFYING THICKNESS.
 ALIGNMENT SLEEVE: SEE TABLE.

2. FOUR DUST COVERS INCLUDED, NOT SHOWN.

△ OBSOLETE PARTS: OBSOLETE CIS STREAMLINING PER D.RENAUD/D.SINISI



RECOMMENDED PANEL CUTOUT
 PANEL THICKNESS: 1.2/1.7 [.047/.067]

OBsolete	GREEN	CERAMIC	1374352-3
	BEIGE	CERAMIC	1374352-2
	BLUE	CERAMIC	1374352-1
	COLOR	SLEEVE MAT'L	PART NUMBER

DIMENSIONS: mm (INCHES)		DATE: 27 JUN00 DWG: ALEXANDER CDR: MILLER APP'D: S. BUCHTER 30 JUN00 PRODUCT SPEC: ADAPTER, DUPLEX, LC		Tyco Electronics Corporation Shanghai, China	
DIMENSIONS: mm (INCHES)		TO: BRANDS, DIVISION PRODUCT SPEC: ADAPTER, DUPLEX, LC		SIZE: A2 CASE CODE: - DRAWING NO: 1374352 RESTRICTED TO: -	
MATERIAL: PEI		WEIGHT: - FINISH: -		CUSTOMER DRAWING SCALE: 4:1 SHEET 1 OF 1 REV E2	