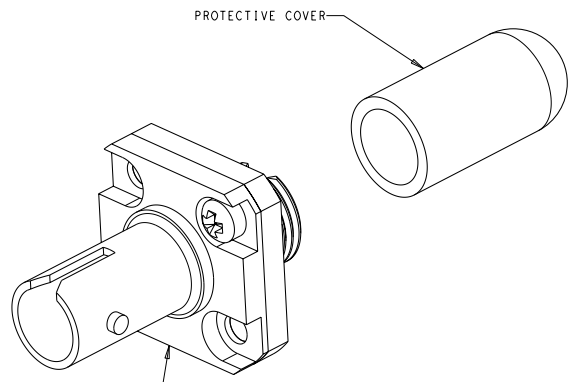
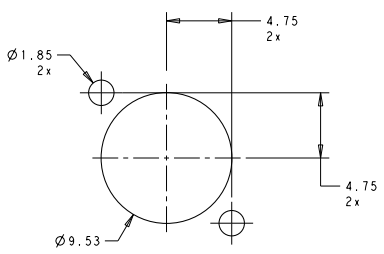


REV	DESCRIPTION	DATE	BY	APPD
H	REVISE PER ECR-06-011170	16JUN2006	BB	SM
H1	REVISE PER ECR-10-023123	11NOV2010	DD	CT



**MATERIAL:**  
 HOUSING: NICKEL PLATED BRASS  
 SLEEVE: PHOSHER BRONZE  
 SLEEVE: ZIRCONIA  
 SCREW: STAINLESS STEEL  
 PROTECTIVE COVER: PVC, COLOR: RED, NON-FR



SUGGESTED PANEL CUTOUT  
 RECOMMENDED PANEL THICKNESS 1.6±0.1

<b>OBSELETE</b>	CERAMIC	503640-3
	CERAMIC	503640-2
	METAL	503640-1
ALIGNMENT SLEEVE		PART NUMBER

DIMENSIONS: mm		DWG: B. BRIGGS 16JUN2006 CDR: S. MILLER 16JUN2006 APPD: S. BUCHTER 16JUN2006	Tyco Electronics Corporation Shanghai, China
TO DRAWING SPECIFICATIONS: 0 PLC ±: 1 PLC ±: 2 PLC ±: 3 PLC ±: 4 PLC ±: ANGLES ±: FINISH		PRODUCT SPEC: APPLICATION SPEC: WEIGHT: CUSTOMER DRAWING	NAME: HYBRID ADAPTER, METALIZED, FC TYPE TO BAYONET SIZE: A200779 CASE CODE: C-503640 DRAWING NO: RESTRICTED TO:
MATERIAL:		SCALE: 5:1	SHEET: 1 OF 1 REV: H1