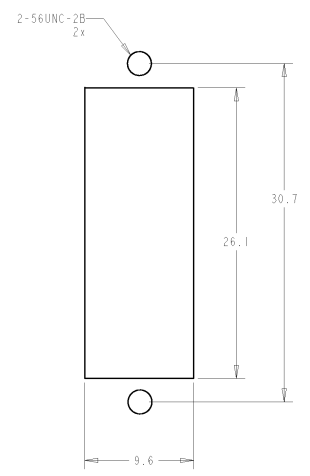
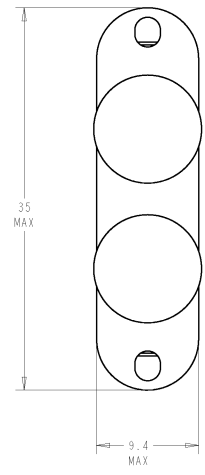
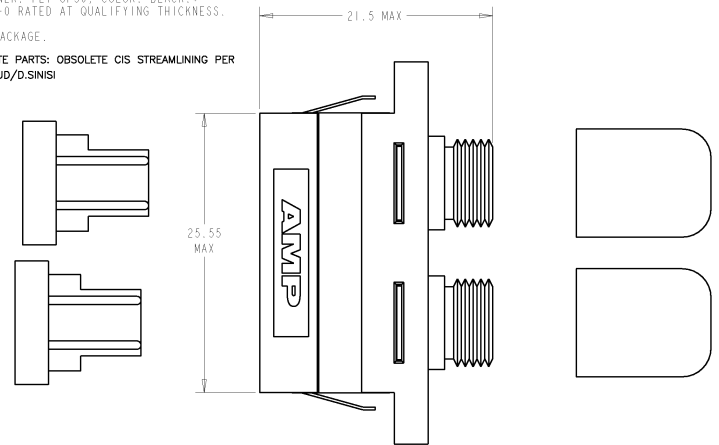
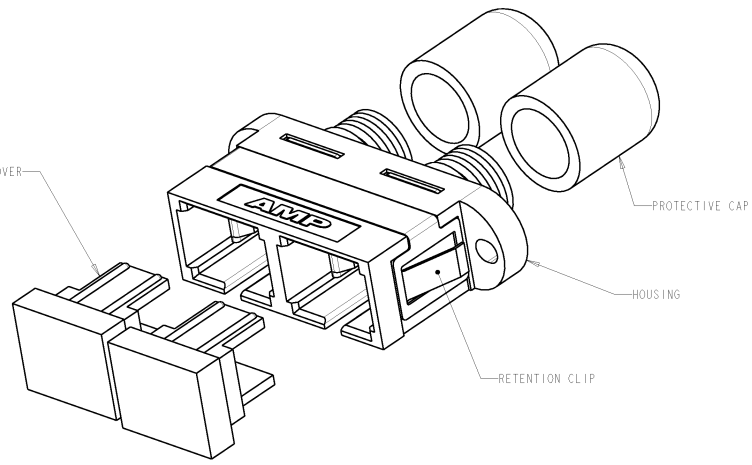


MATERIAL:
 HOUSING: DIECAST ZINC, NICKEL PLATED.
 ALIGNMENT SLEEVE: SEE DASH NO'S
 PROTECTIVE COVER: TPE, COLOR: BLACK.*
 RETENTION CLIP: STAINLESS STEEL
 PROTECTIVE CAP: VINYL
 RETAINER: PEI-GF30, COLOR: BLACK.*
 *UL94 V-0 RATED AT QUALIFYING THICKNESS.

BULK PACKAGE.
OBsolete PARTS: OBSOLETE CIS STREAMLINING PER D.RENAUD/D.SINIS



SUGGESTED PANEL CUTOUT
 MAX. PANEL THICKNESS 1.7



2	CERAMIC	6278050-4
	CERAMIC	6278050-3
3/4	METAL	6278050-2
	METAL	6278050-1
	ALIGNMENT SLEEVE	PART NO

<small>THIS DRAWING IS UNPUBLISHED. RELEASED FOR PUBLICATION. (C) COPYRIGHT BY AMP INCORPORATED. ALL RIGHTS RESERVED. OBSOLETE PARTS SHOULD BE CONTACTED FOR THE LATEST REVISION.</small>		D.B. BRIGGS 17MAY2005 S. MILLER 17MAY2005 S. BUCHTER 17MAY2005	AMP Incorporated Harrisburg, PA 17105-3400
DIMENSIONS: mm	ADVANCES UNLESS OTHERWISE SPECIFIED: 0 PLC .01 1 PLC .01 2 PLC .015 3 PLC .02 4 PLC .025 5 PLC .03 ANGLES .8°	PROTECTIVE SPEC APPLICATION SPEC WEIGHT CUSTOMER DRAWING	AMP ASSEMBLY, DUPLEX RECP/TACTLE, SC/FC DIECAST HOUSING PART NO SIZE CASE CODE DRAWING NO A2100779 C=6278050 SCALE 4:1 SHEET 1 OF 1 REV A1