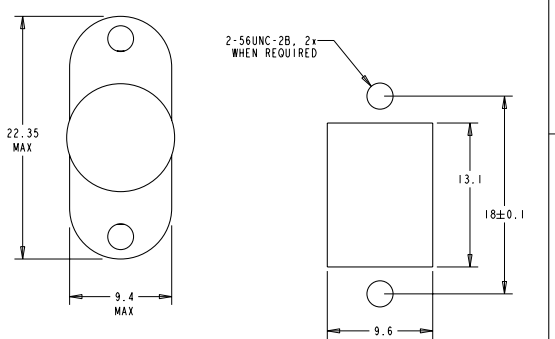
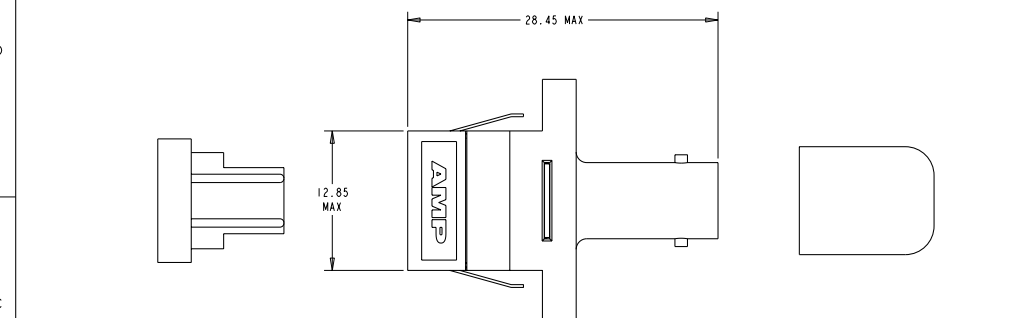


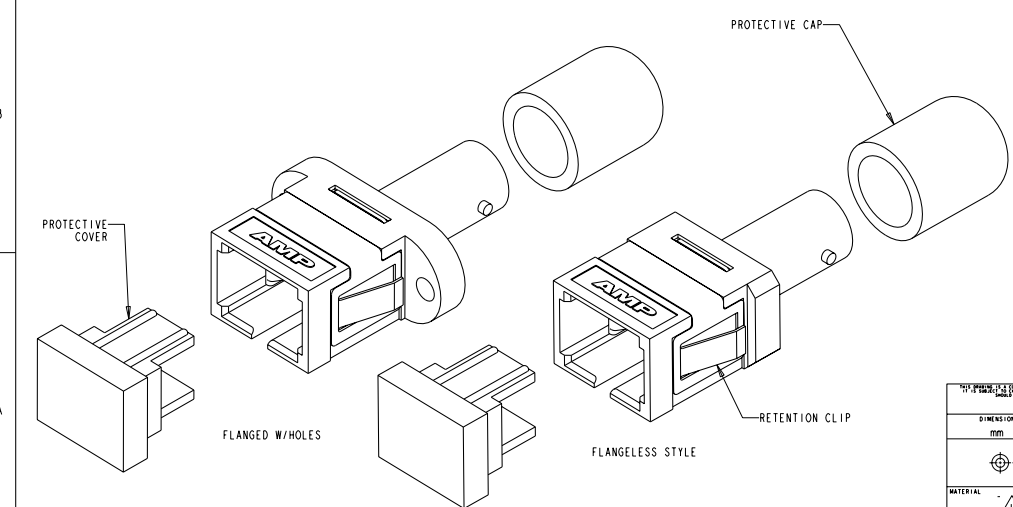
REV	DATE	BY	APP'D
A	07JUN2006	BB	SM



- △ MATERIAL: HOUSING: DIECAST ZINC, NICKEL PLATED.
- ALIGNMENT SLEEVE: SEE DASH NOS.
- PROTECTIVE COVER: TPE, COLOR: BLACK. *
- RETENTION CLIP: STAINLESS STEEL.
- PROTECTIVE CAP: VINYL.
- RETAINER: PEI-GF30, COLOR: BLACK. *
- *UL94 V-0 RATED AT QUALIFYING THICKNESS.
- △ BULK PACKAGE.

2-56UNC-2B, 2x WHEN REQUIRED

SUGGESTED PANEL CUTOUT
MAX PANEL THICKNESS 1.7



REV	DESCRIPTION	PART NO
1	CERAMIC FLANGED W/HOLES, NO CLIP	1-6278350-1
2	METAL FLANGED W/HOLES, NO CLIP	6278350-9
2	CERAMIC FLANGELESS	6278350-8
	CERAMIC FLANGELESS	6278350-7
	METAL FLANGELESS	6278350-5
	CERAMIC FLANGED W/HOLES	6278350-3
	METAL FLANGED W/HOLES	6278350-1
	ALIGNMENT SLEEVE	
	DESCRIPTION	PART NO

DIMENSIONS: mm 0 PLC ±0.1 1 PLC ±0.1 2 PLC ±0.05 3 PLC ±0.1 4 PLC ±0.1 ANGLES FINISH	TO: BRIGGS, 18MAY2005 C/C: MILLER A/P/C: S. BLUCHTER, 18MAY2005 NAME: ASSEMBLY, SIMPLEX RECEPTACLE, SC/ST DIECAST HOUSING APPLICATION SPEC: WEIGHT: CUSTOMER DRAWING	AMP Incorporated Harrisburg, PA 17105-3608 SHEET: A2 CASE CODE: 00779 DRAWING NO: 6278350 SCALE: 4:1 SHEET 1 OF 1 REV A
--	--	--