

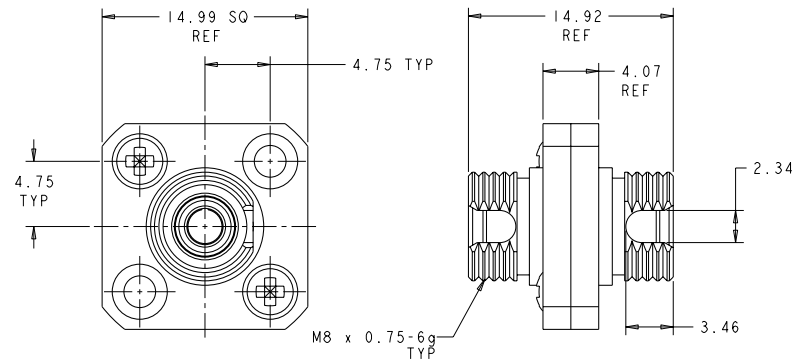
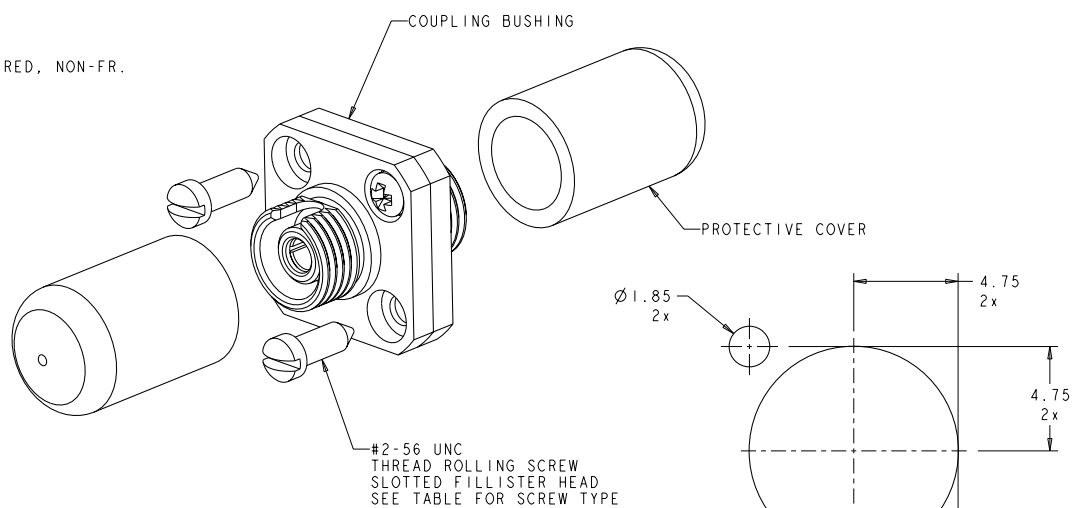
4 3 2 1

THIS DRAWING IS UNPUBLISHED. RELEASED FOR PUBLICATION BY TYCO ELECTRONICS CORPORATION. ALL RIGHTS RESERVED. COPYRIGHT 20

LOC		DIST		REVISIONS			
P	LYA	DESCRIPTION	DATE	BY	APPR		
A		RELEASE TO ACTIVE	06JUN2006	BB	SM		

⚠ BULK PACKAGE.

⚠ MATERIAL:
 HOUSING: NICKEL PLATED BRASS
 SLEEVE: PHOSPHOR BRONZE
 SLEEVE: ZIRCONIA
 SCREW: STAINLESS STEEL
 PROTECTIVE COVER: PVC, COLOR: RED, NON-FR.



⚠ NO SCREWS SUPPLIED	METAL	5501506-7
⚠ NO SCREWS SUPPLIED	CERAMIC	5501506-5
SLOTTED FILLISTER HEAD	METAL	5501506-2
SLOTTED FILLISTER HEAD	CERAMIC	5501506-1
SCREW TYPE	ALIGNMENT SLEEVE	PART NUMBER

DIMENSIONS: mm 0 PLC ± 1 PLC ± 2 PLC ± 3 PLC ± 4 PLC ± ANGLES ± MATERIAL FINISH	TO: BRIGGS, 08AUG2005 S. MILLER, 08AUG2005 S. BUCHTER, 08AUG2005	FROM: BRIGGS, 08AUG2005 S. MILLER, 08AUG2005 S. BUCHTER, 08AUG2005	Tyco Electronics Harrisburg, PA 17105-3608
PRODUCT SPEC: ADAPTER KIT, FC		CASE CODE: A200779	DRAWING NO: C-5501506
WEIGHT: CUSTOMER DRAWING		SCALE: 5:1	SHEET: 1 OF 1 REV: A