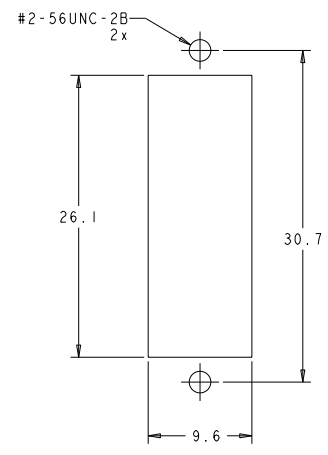
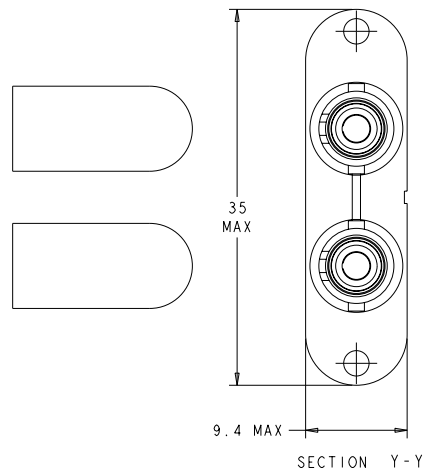
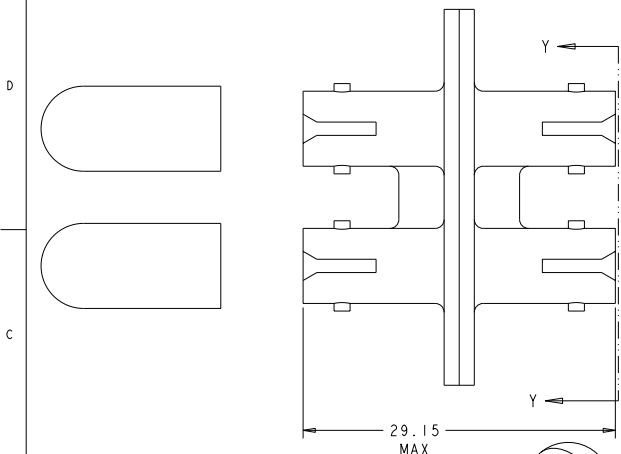


THIS DRAWING IS UNPUBLISHED. RELEASED FOR PUBLICATION
 © COPYRIGHT 20 BY TYCO ELECTRONICS CORPORATION. ALL RIGHTS RESERVED.

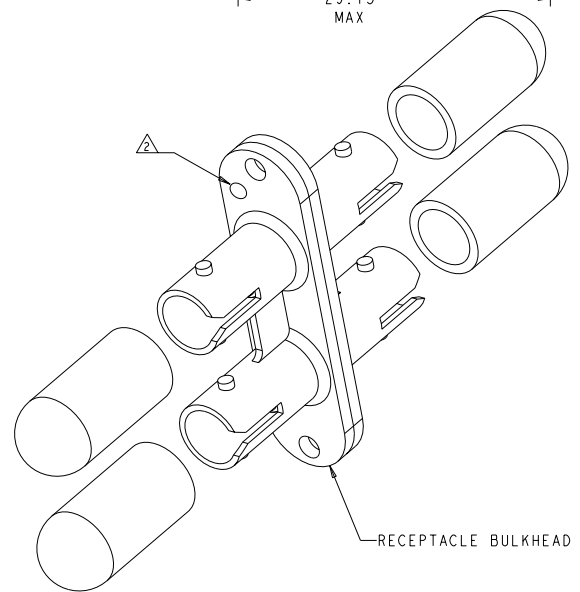
LOC		DIST		REVISIONS			
P	LT#	DESCRIPTION	DATE	BY	APPD		
C		REVISE PER ECR-05-013728	31OCT2005	BB	SB		



SUGGESTED PANEL CUTOUT
 MAXIMUM PANEL THICKNESS 1.7

△ MATERIAL:
 PROTECTIVE CAP: VINYL
 COUPLING RECEPTACLE:
 HOUSING: PPE AND PS, UL94 V-0 RATED AT QUALIFYING THICKNESS,
 SEE DASH NUMBER FOR COLOR.
 SLEEVE: METAL

△ PART IDENTIFIER.



BEIGE	504662-2
LT. ALMOND	504662-1
COLOR	MATERIAL

D. BRIGGS 31OCT2005		Tyco Electronics	
S. BUCHTER 31OCT2005		Harrisburg, PA 17105-3608	
S. BUCHTER 31OCT2005		NAME: DUPLEX RECEPTACLE KIT, MULTIMODE, BULKHEAD, AMP ST-ST	
APPLICATION SPEC		SIZE	CASE CODE
MATERIAL		A200779	©=504662
CUSTOMER DRAWING		SCALE	4:1

AMP 1471-9 REV 51MAR2000