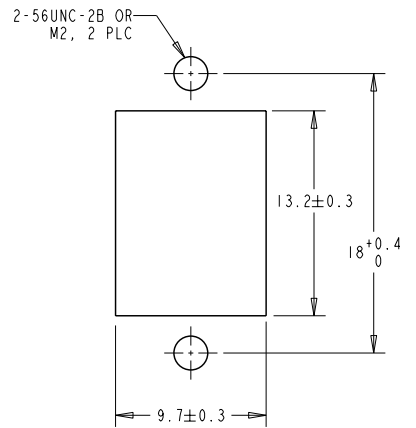
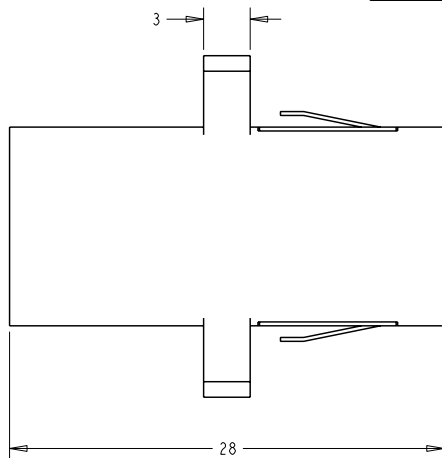
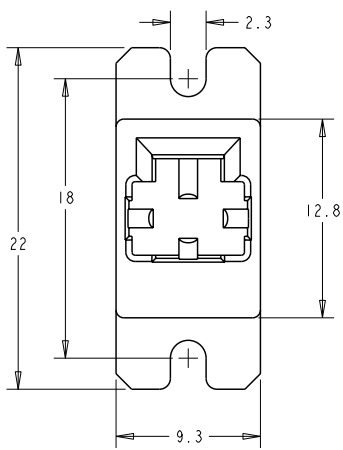


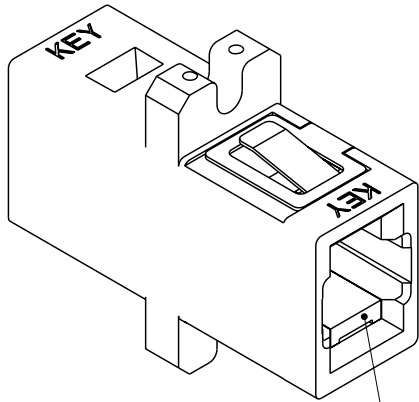
THIS DRAWING IS UNPUBLISHED. RELEASED FOR PUBLICATION
 © COPYRIGHT 19 BY TYCO ELECTRONICS CORPORATION. ALL RIGHTS RESERVED.

LOC	DIST	REVISIONS				
P	LTR	DESCRIPTION	DATE	DWN	APVD	
CE	00					
		D REVISE PER ECR-06-027304	07DEC2006	BB	DK	

1. BODY: THERMOPLASTIC MOLDING COMPOUND, COLOR: LIGHT ALMOND.
 CLIP: SST
 COVER: THERMOPLASTIC ELASTOMER, COLOR: BLACK.
 2. TWO PROTECTIVE COVERS INCLUDED, NOT SHOWN.



RECOMMENDED PANEL CUTOUT
 MAX PANEL THK. 1.7



POLARIZATION KEY

1278017-1
 PART NO

<small>THIS DRAWING IS A CONTROLLED DOCUMENT FOR TYCO ELECTRONICS CORPORATION IT IS SUBJECT TO CHANGE AND THE CONTROLLING ENGINEERING ORGANIZATION SHOULD BE CONTACTED FOR THE LATEST REVISION.</small>		DWN 3-11-98 C JEFFERSON	AMP Incorporated Harrisburg, PA 17105-3608
DIMENSIONS: mm		CHN 3-11-98 H EDWARDS	AMP ADAPTER, MT-RJ
TOLERANCES UNLESS OTHERWISE SPECIFIED: 0 PLC ±0.1 1 PLC ±0.1 2 PLC ±0.05 3 PLC ± 4 PLC ± ANGLES ±		APVD 3-11-98 J KEVERN	
MATERIAL -		FINISH -	PRODUCT SPEC - APPLICATION SPEC - WEIGHT - SIZE A3 CAGE CODE 00779 DRAWING NO C-1278017 RESTRICTED TO -
CUSTOMER DRAWING		SCALE 4:1	SHEET 1 OF 1 REV D