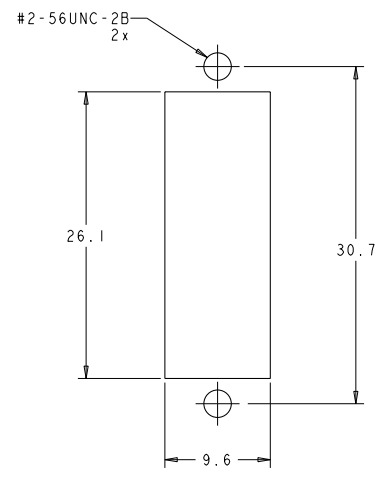
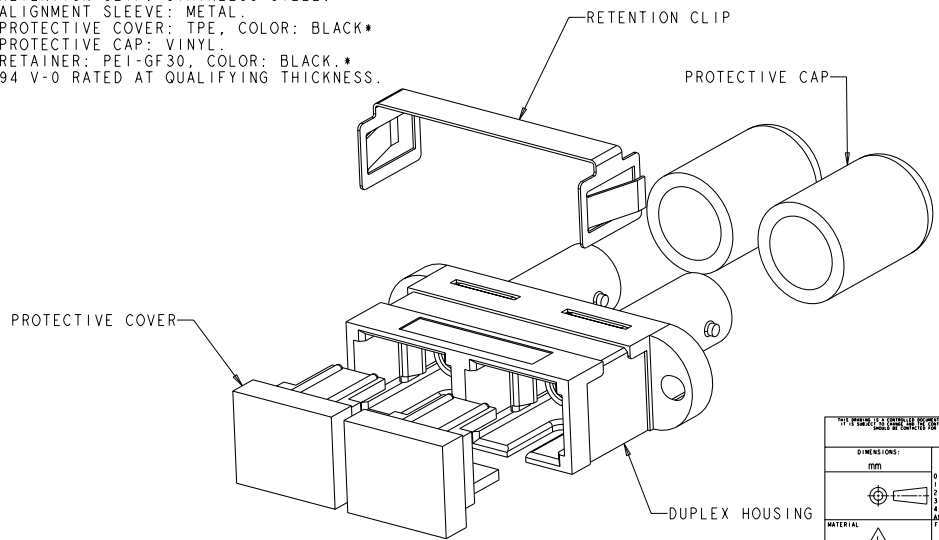


REVISONS		DATE	BY	APPD
A	REVISE PER ECR-06-000779	12JAN2006	BB	SB
B	REVISE PER ECR-07-014489	18JUL2007	BB	SM
C	REVISE PER ECR-08-000844	23JAN2008	BB	SM



SUGGESTED PANEL CUTOUT
MAXIMUM PANEL THICKNESS 1.7

- △ MATERIAL:
 HOUSING: PBT-GF30, SEE DASH NUMBERS FOR COLORS.*
 RETENTION CLIP: STAINLESS STEEL.
 ALIGNMENT SLEEVE: METAL.
 PROTECTIVE COVER: TPE, COLOR: BLACK*
 PROTECTIVE CAP: VINYL.
 RETAINER: PEI-GF30, COLOR: BLACK.*
 *UL94 V-0 RATED AT QUALIFYING THICKNESS.



RETENTION CLIP	BLACK	5504663-6
RETENTION CLIP	AQUA	5504663-5
RETENTION CLIP	BEIGE	5504663-4
NONE	BEIGE	5504663-2
NONE	LT ALMOND	5504663-1
HARDWARE	COLOR	PART NUMBER

OWN	B. BRIGGS	16MAY2005	Yeco Electronics	Harrisburg, PA 17105-3608
CHK	S. MILLER	16MAY2005		
APPD	S. BUCHTER	16MAY2005		
DIMENSIONS:			NAME	
mm			RECEPTACLE ASSEMBLY, DUPLEX, AMP SC TO BAYONET	
TO DIMENSIONS UNLESS OTHERWISE SPECIFIED:			PRODUCT SPEC	
0	PLC	±0.1	APPLICATION SPEC	SHEET CASE CODE DRAWING NO
1	PLC	±0.1	WEIGHT	A200779
2	PLC	±0.05	CUSTOMER DRAWING	5504663
3	PLC	±0.1	SCALE	4:1
4	PLC	±0.1	SHEET	1 OF 1
ANGLES	±0.1	RESTRICTED TO		
FINISH		REV		