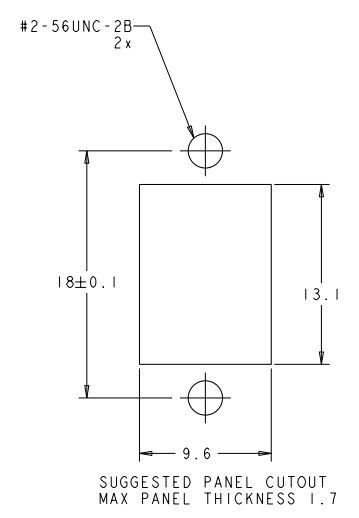
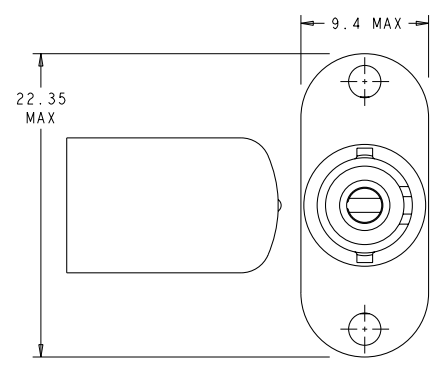
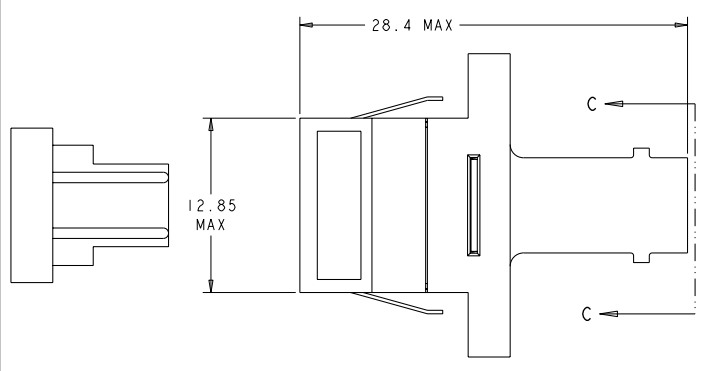
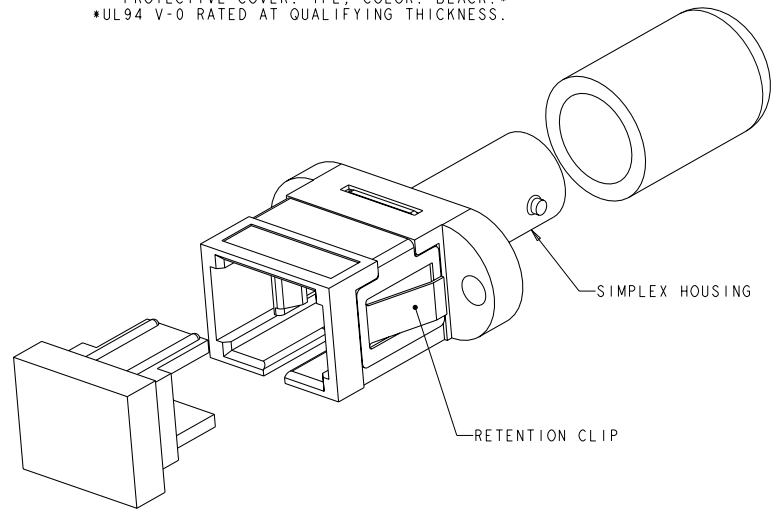


REVISIONS				
P	LYR	DESCRIPTION	DATE	BY
1		RELEASE PER NPR 06-0529	11MAY2006	BB SM



⚠ MATERIAL:  
 HOUSING: PBT-GF30, SEE DASH NUMBERS FOR COLOR.\*  
 RETAINER: PEI-GF30, COLOR: BLACK.\*  
 RETENTION CLIP: STAINLESS STEEL.  
 ALIGNMENT SLEEVE: SEE DASH NUMBERS.  
 PROTECTIVE CAP: VINYL.  
 PROTECTIVE COVER: TPE, COLOR: BLACK.\*  
 \*UL94 V-0 RATED AT QUALIFYING THICKNESS.



CERAMIC	BLACK	1918540-1
ALIGNMENT SLEEVE	COLOR	PART NUMBER

DIMENSIONS:		OWN: B. BRIGGS 11MAY2006	Tyco Electronics Harrisburg, PA 17105-3608	
mm		CC: S. MILLER 11MAY2006	RECEPTACLE ASSEMBLY, AMP SC TO BAYONET	
TO DIMENSIONS UNLESS OTHERWISE SPECIFIED:		APPRO: S. BUCHTER 11MAY2006	NAME	
0 PLC	±0.1	APPLICATION SPEC		
1 PLC	±0.1	WEIGHT		
2 PLC	±0.05	SHEET CASE CODE DRAWING NO		
3 PLC	±0.05	A200779 © 1918540		
4 PLC	±0.05	RESTRICTED TO		
ANGLES	±0.1	CUSTOMER DRAWING		
MATERIAL	FINISH	SCALE 5:1 SHEET OF 1 REV		