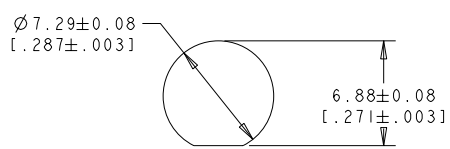
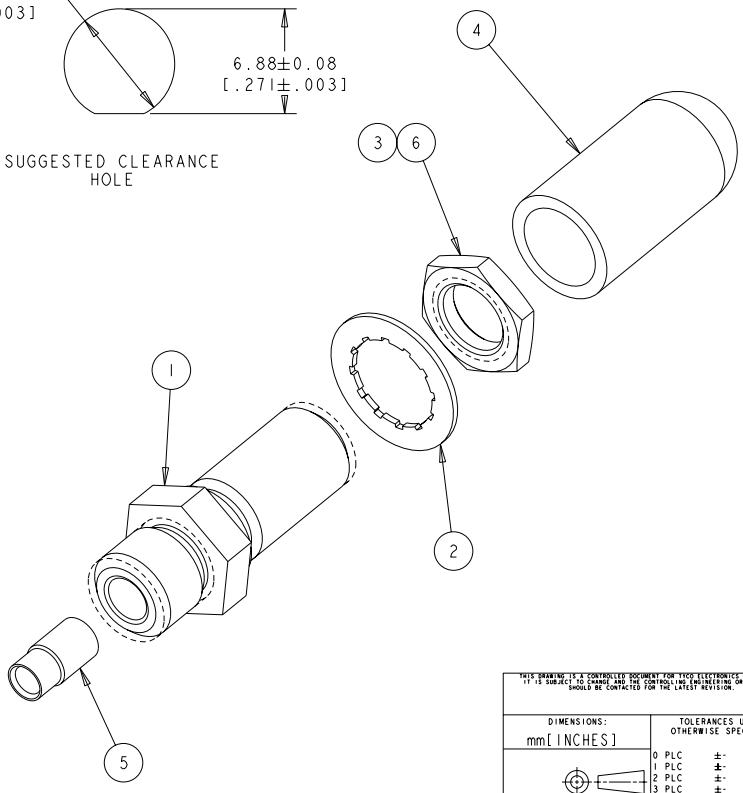


THIS DRAWING IS UNPUBLISHED. RELEASED FOR PUBLICATION
 © COPYRIGHT 20 BY TYCO ELECTRONICS CORPORATION, ALL RIGHTS RESERVED.

LOC	DIST	REVISIONS				
P	LTR	DESCRIPTION	DATE	DWN	APVD	
	G	REVISE PER ECR-05-009613	27SEP2005	BB	LS	



SUGGESTED CLEARANCE HOLE



1. PRODUCT CONNECTS 905 FSMA TO 905 FSMA OR 906 FSMA TO 906 FSMA. DO NOT CONNECT 905 TO 906.

OBSOLETE

QTY	UNIT	PART NUMBER	DESCRIPTION	ITEM NO.
1	-	981155-9	JAM NUT	6
1	1	501047-1	ALIGNMENT SLEEVE, FULL	5
2	2	1828874-6	PROTECTIVE CAP	4
-	1	981155-4	JAM NUT	3
1	1	1-22145-3	LOCK WASHER	2
1	1	501238-2	COUPLING BUSHING, FSMA	1
-2	-1	PART NUMBER	DESCRIPTION	ITEM NO.

<small>THIS DRAWING IS A CONTROLLED DOCUMENT FOR TYCO ELECTRONICS CORPORATION. IT IS SUBJECT TO CHANGE AND THE CONTROLLING ENGINEERING ORGANIZATION SHOULD BE CONTACTED FOR THE LATEST REVISION.</small>		DWN B. BRIGGS 27SEP2005 CHK L. SAUERWEIN 27SEP2005 APVD S. BUCHTER 27SEP2005	Tyco Electronics Harrisburg, PA 17105-3608
DIMENSIONS: mm [INCHES]	TOLERANCES UNLESS OTHERWISE SPECIFIED: 0 PLC ± 1 PLC ± 2 PLC ± 3 PLC ± 4 PLC ± ANGLES ± FINISH -	NAME PRODUCT SPEC 108-45106 APPLICATION SPEC	COUPLING BUSHING KIT, UNSEALED, FSMA
MATERIAL		SIZE CAGE CODE DRAWING NO A3 00779 C=501049	RESTRICTED TO
CUSTOMER DRAWING		SCALE 4:1	SHEET 1 OF 1 REV G