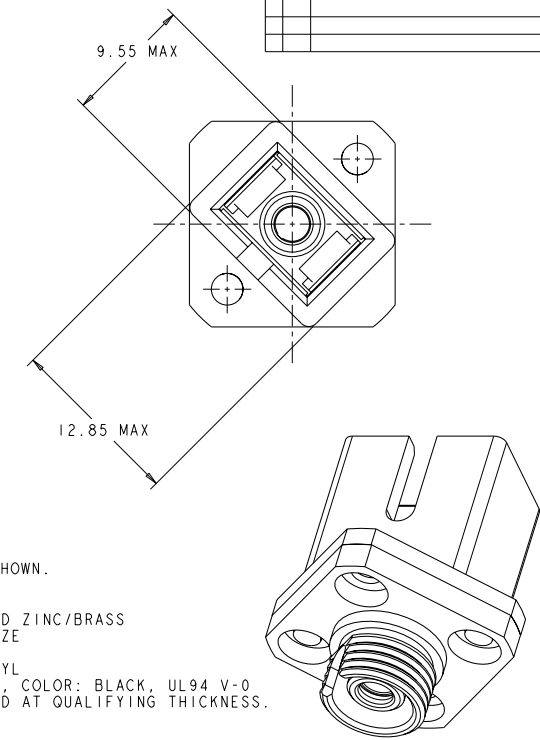


SUGGESTED PANEL CUTOUT  
 MAXIMUM PANEL THICKNESS 1.7

1. PROTECTIVE COVERS NOT SHOWN.  
 MATERIAL:  
 HOUSING: NICKEL PLATED ZINC/BRASS  
 SLEEVE: PHOSPHOR BRONZE  
 SLEEVE: ZIRCONIA  
 PROTECTIVE COVER: VINYL  
 PROTECTIVE COVER: TPE, COLOR: BLACK, UL94 V-0  
 RATED AT QUALIFYING THICKNESS.

LOC	DIST	REVISIONS					
CE	00	P	LYR	DESCRIPTION	DATE	BY	APPR
		A		RELEASE TO ACTIVE	07JUN2006	BB	SM



CERAMIC	5503480-2
METAL	5503480-1
ALIGNMENT SLEEVE	PART NUMBER

DIMENSIONS: mm (INCHES)		TO: BRIGGS, B. (3MAY2005) FROM: MILLER, S. (3MAY2005)		NAME: ADAPTER, HYBRID, SIMPLEX, METALLIZED AMP SC TO FC TYPE PRODUCT SPEC:	
MATERIAL:		APPLICATION SPEC:		SIZE: A200779	
FINISH:		WEIGHT:		CASE CODE: C-5503480	
CUSTOMER DRAWING		DRAWING NO:		RESTRICTED TO:	
				SCALE: 5:1 SHEET 1 OF 1 REV A	