

4

3

2

1

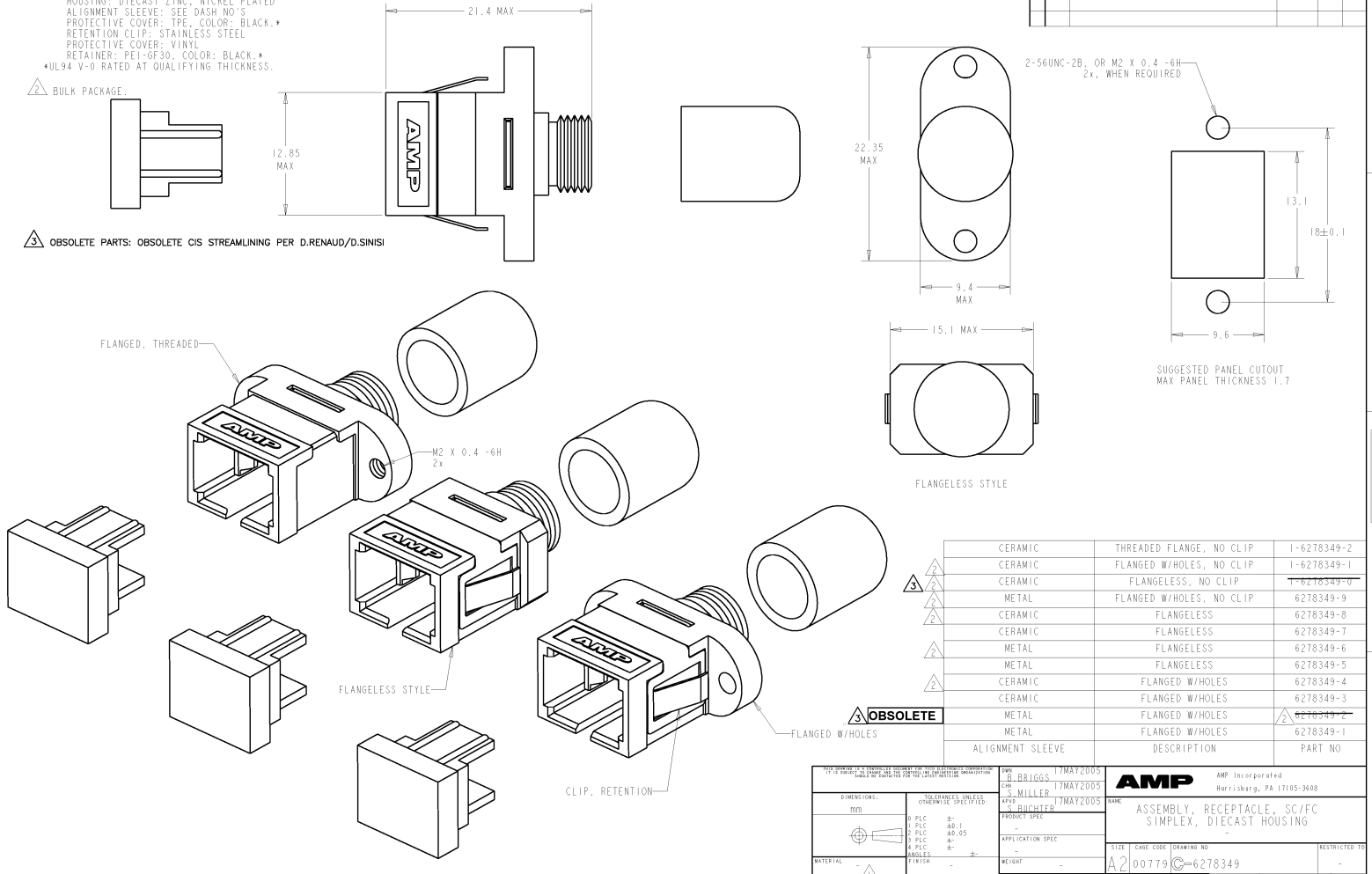
THIS DRAWING IS UNPUBLISHED. RELEASED FOR PUBLICATION BY TICO ELECTRONICS CORPORATION. ALL RIGHTS RESERVED.

REV	DATE	BY	APP'D
A	07JUN2004	BB	SB
A1	11JAN10	KK	AEG

△ MATERIAL:
 HOUSING: DIECAST ZINC, NICKEL PLATED
 ALIGNMENT SLEEVE: SEE DASH NO'S
 PROTECTIVE COVER: TPE, COLOR: BLACK.*
 RETENTION CLIP: STAINLESS STEEL
 PROTECTIVE COVER: VINYL
 RETAINER: PEI-GF30, COLOR: BLACK.*
 *UL94 V-0 RATED AT QUALIFYING THICKNESS.

△ BULK PACKAGE.

△ OBSOLETE PARTS: OBSOLETE CIS STREAMLINING PER D.RENAUD/D.SINISI



REV	DESCRIPTION	PART NO	
△ 2	CERAMIC	THREADED FLANGE, NO CLIP	1-6278349-2
△ 2	CERAMIC	FLANGED W/HOLES, NO CLIP	1-6278349-1
△ 2	CERAMIC	FLANGELESS, NO CLIP	1-6278349-0
△ 2	METAL	FLANGED W/HOLES, NO CLIP	6278349-9
△ 2	CERAMIC	FLANGELESS	6278349-8
△ 2	CERAMIC	FLANGELESS	6278349-7
△ 2	METAL	FLANGELESS	6278349-6
△ 2	METAL	FLANGELESS	6278349-5
△ 2	CERAMIC	FLANGED W/HOLES	6278349-4
△ 2	CERAMIC	FLANGED W/HOLES	6278349-3
△ 2	METAL	FLANGED W/HOLES	6278349-2
△ 2	METAL	FLANGED W/HOLES	6278349-1
	ALIGNMENT SLEEVE	DESCRIPTION	PART NO

△ OBSOLETE

DIMENSIONS: mm		DIMENSIONS: INCHES		DATE: 17MAY2005 BY: J.D. BRIGGS CHK: P.S. MILLER APP: S. BUCHTER	AMP Incorporated Harrisburg, PA 17105-3400
MATERIAL: ZINCH FINISH:		DIMENSIONS: 0 PLC ±0.1 1 PLC ±0.1 2 PLC ±0.05 3 PLC ±0.1 4 PLC ±0.1 ANGLES ±0.1		TYPICAL WEIGHT: APPLICATION SPEC: WEIGHT:	SIZE: CASE CODE: DRAWING NO: A2100779 C=6278349
CUSTOMER DRAWING				SCALE: 4:1	SHEET 1 OF 1 REV: A1