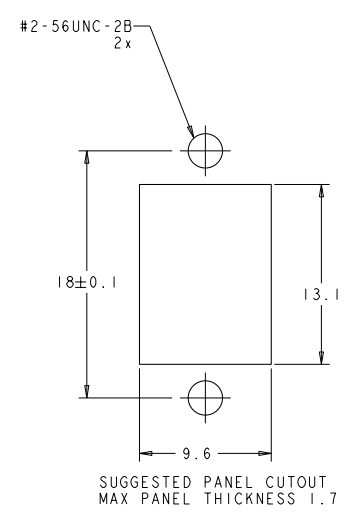
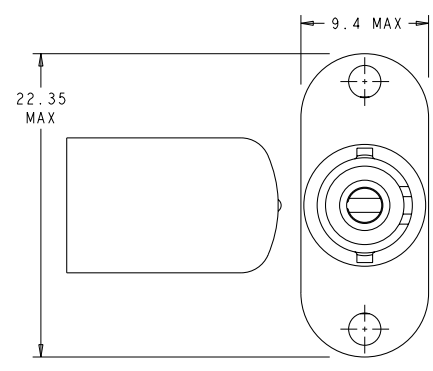
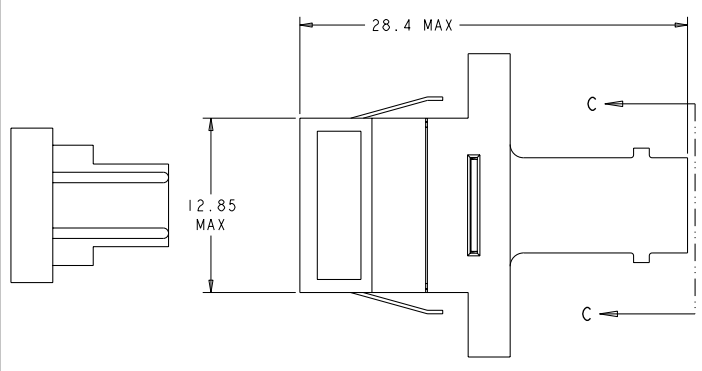
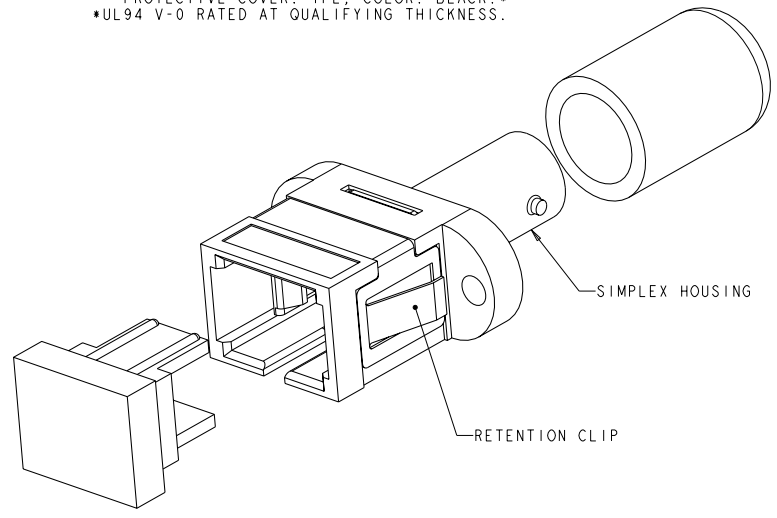


REVISIONS				
REV	DATE	BY	CHKD	APPROV
A	17JAN2006	BB	SB	
B	16JUL2007	BB	SM	
C	23JAN2008	BB	SM	



△ MATERIAL:
 HOUSING: PBT-GF30, SEE DASH NUMBERS FOR COLOR.*
 RETAINER: PEI-GF30, COLOR: BLACK.*
 RETENTION CLIP: STAINLESS STEEL.
 ALIGNMENT SLEEVE: SEE DASH NUMBERS.
 PROTECTIVE CAP: VINYL.
 PROTECTIVE COVER: TPE, COLOR: BLACK.*
 *UL94 V-0 RATED AT QUALIFYING THICKNESS.



CERAMIC	AQUA	2-5502780-1
METAL	AQUA	2-5502780-0
CERAMIC	BEIGE	5502780-6
CERAMIC	BLUE	5502780-5
CERAMIC	BLACK	5502780-4
METAL	BEIGE	5502780-3
METAL	BLUE	5502780-2
METAL	BLACK	5502780-1
ALIGNMENT SLEEVE	COLOR	PART NUMBER

DIMENSIONS: mm		TO: BRIGGS, 13MAY2005 S. MILLER, 13MAY2005 S. BUCHTER, 13MAY2005	Tyco Electronics Harrisburg, PA 17105-3608
MATERIAL: △ -		APPLICATION SPEC: - WEIGHT: - FINISH: -	NAME: RECEPTACLE ASSEMBLY, AMP SC TO BAYONET SHEET: A200779 CASE CODE: C-5502780 DRAWING NO: - RESTRICTED TO: -
CUSTOMER DRAWING		SCALE: 5:1	SHEET 1 OF 1 REV C