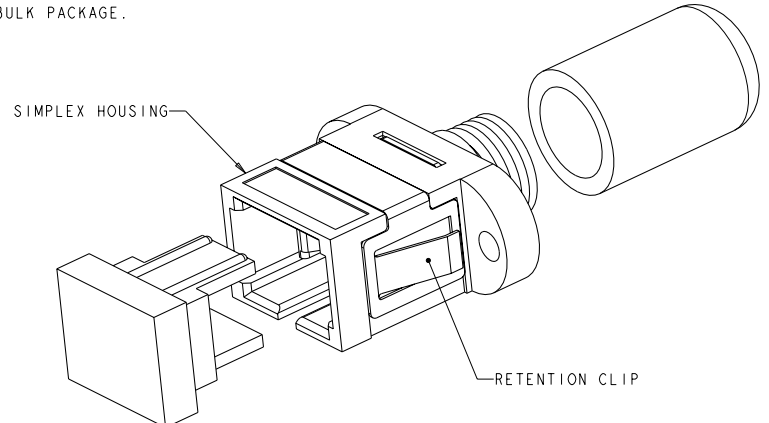
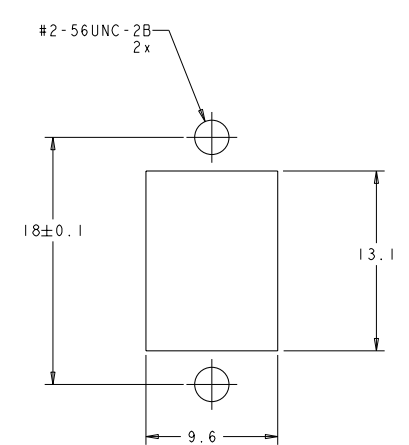


**MATERIAL:**  
 HOUSING: PBT-GF30, SEE DASH NUMBERS FOR COLOR.\*  
 RETAINER: PEI-GF30, COLOR: BLACK.\*  
 RETENTION CLIP: STAINLESS STEEL.  
 ALIGNMENT SLEEVE: SEE DASH NUMBERS.  
 PROTECTIVE CAP: VINYL.  
 PROTECTIVE COVER: TPE, COLOR: BLACK.\*  
 \*UL94 V-0 RATED AT QUALIFYING THICKNESS.

**BULK PACKAGE.**



REV	DATE	BY	CHKD	APPROV
A	12JAN2006	BB	SB	
B	23JAN2006	BB	SM	



SUGGESTED PANEL CUTOUT  
 MAX PANEL THICKNESS 1.7

NONE	CERAMIC	BLACK	1-5502781-4
NONE	METAL	BLACK	1-5502781-3
RETENTION CLIP	CERAMIC	BLACK	1-5502781-0
RETENTION CLIP	METAL	BLUE	5502781-8
RETENTION CLIP	CERAMIC	BEIGE	5502781-6
RETENTION CLIP	CERAMIC	BLUE	5502781-5
RETENTION CLIP	CERAMIC	BLACK	5502781-4
RETENTION CLIP	METAL	BEIGE	5502781-3
RETENTION CLIP	METAL	BLUE	5502781-2
RETENTION CLIP	METAL	BLACK	5502781-1
INCLUDED HARDWARE	ALIGNMENT SLEEVE	COLOR	PART NUMBER

DIMENSIONS: mm 0 PLC ±0.1 1 PLC ±0.1 2 PLC ±0.05 3 PLC ±0.1 4 PLC ±0.1 ANGLES ±0.1 MATERIAL △ FINISH -	TO: BRIGGS, B. 13MAY2005 CCL: MILLER, S. 13MAY2005 APPRO: S. BUCHTER, S. 13MAY2005 PRODUCT SPEC: APPLICATION SPEC: WEIGHT: CUSTOMER DRAWING	Tyco Electronics Harrisburg, PA 17105-3608 RECEPTACLE ASSEMBLY, AMP SC TO FC STATE CASE CODE DRAWING NO A200779 ©-5502781 SCALE 5:1 SHEET 1 OF 1 REV B
---	---	--