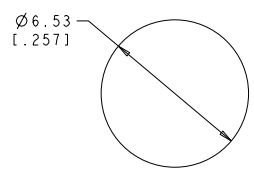
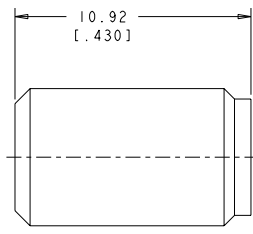
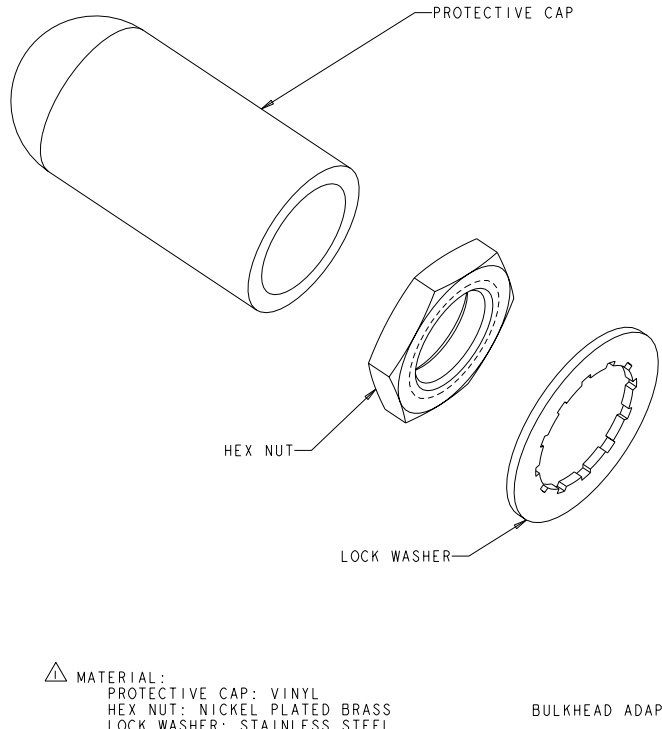


THIS DRAWING IS UNPUBLISHED. RELEASED FOR PUBLICATION  
 © COPYRIGHT 20 BY TYCO ELECTRONICS CORPORATION. ALL RIGHTS RESERVED.

LOC		DIST		REVISIONS			
P	CHR	DESCRIPTION	DATE	BY	APPD		
H		REVISE PER ECR-05-009613	30SEP2005	BB	LS		



RECOMMENDED PANEL CUTOUT

△ MATERIAL:  
 PROTECTIVE CAP: VINYL  
 HEX NUT: NICKEL PLATED BRASS  
 LOCK WASHER: STAINLESS STEEL  
 BULKHEAD ADAPTER: STAINLESS STEEL

504031-1  
 PART NUMBER

<small>THIS DRAWING IS THE PROPERTY OF TYCO ELECTRONICS CORPORATION. IT IS TO BE USED FOR THE DESIGNATION AND IDENTIFICATION OF PARTS ONLY. ALL RIGHTS ARE RESERVED.</small>		DWN: D. BRIGGS, 30SEP2005 CHK: I. SAUERBECK, 30SEP2005 APPD: S. BUCHTER, 30SEP2005	Tyco Electronics Harrisburg, PA 17105-3600
DIMENSIONS: INCHES:	TOLERANCES UNLESS OTHERWISE SPECIFIED: 0 PLG ±. 1 PLG ±. 2 PLG ±.0013(.005) 3 PLG ±. 4 PLG ±. ANGLES ±. FINISH	NAME: BULKHEAD ASSEMBLY, FSMA ADAPTER APPLICATION SPEC: - WEIGHT: - CUSTOMER DRAWING	SIZE: A200779 CASE CODE: ©=504031 DRAWING NO: - RESTRICTED TO: - SCALE: 5:1 SHEET: 1 OF 1 REV: H