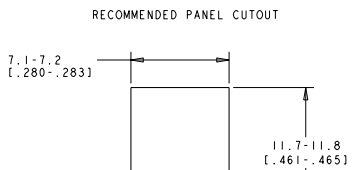
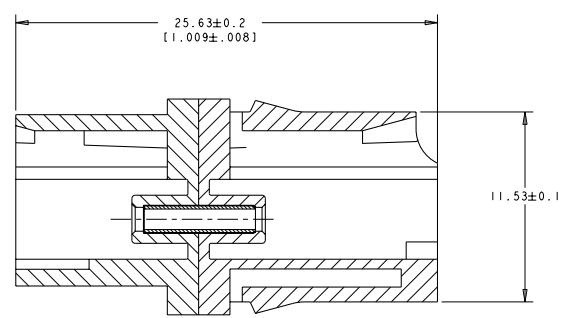
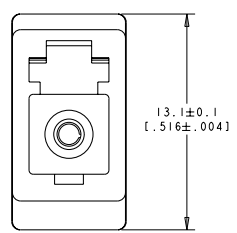
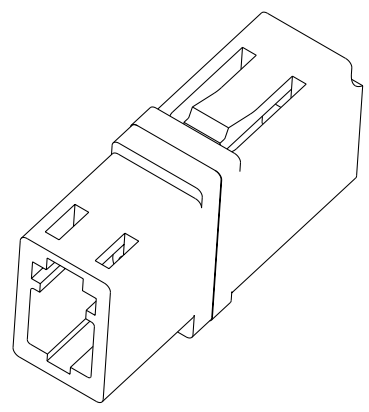
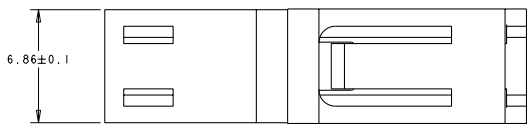


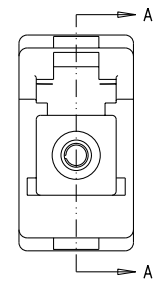
REV	DATE	BY	CHKD	APPROV
A	27SEP2000	BB	CB	
A1	09AUG2010	IL	CT	



PANEL THICKNESS: 1.2 / 1.7



SECTION A-A



△ MATERIAL: HOUSING - THERMOPLASTIC, UL 94 V-0  
 DUST COVERS - THERMOPLASTIC ELASTOMER  
 ALIGNMENT SLEEVE - SEE TABLE  
 2. TWO DUST COVERS INCLUDED - NOT SHOWN

BEIGE	CERAMIC	1457062-2
BLUE	CERAMIC	1457062-1
COLOR	SLEEVE MAT'L	PART NUMBER

DIMENSIONS: mm( INCHES )		DWG NO. 27SEP2000 M. GUERRA CD. ERDMAN APP'D S. BUCHTER	Tyco Electronics Corporation Shanghai, China
TYPICAL DIMENSIONS FOR THE HOUSING AND ALIGNMENT SLEEVE. DIMENSIONS FOR THE DUST COVERS ARE NOT SHOWN.		PRODUCT SPEC: - APPLICATION SPEC: - WEIGHT: - MATERIAL: - FINISH: -	NAME: ADAPTER, SIMPLEX, LC SHEET: A2 CASE CODE: - DRAWING NO: 1457062 RESTRICTED TO: -
CUSTOMER DRAWING		SCALE: 6:1	SHEET: 1 OF 1 REV: A1