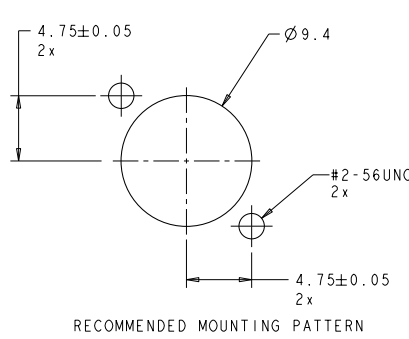
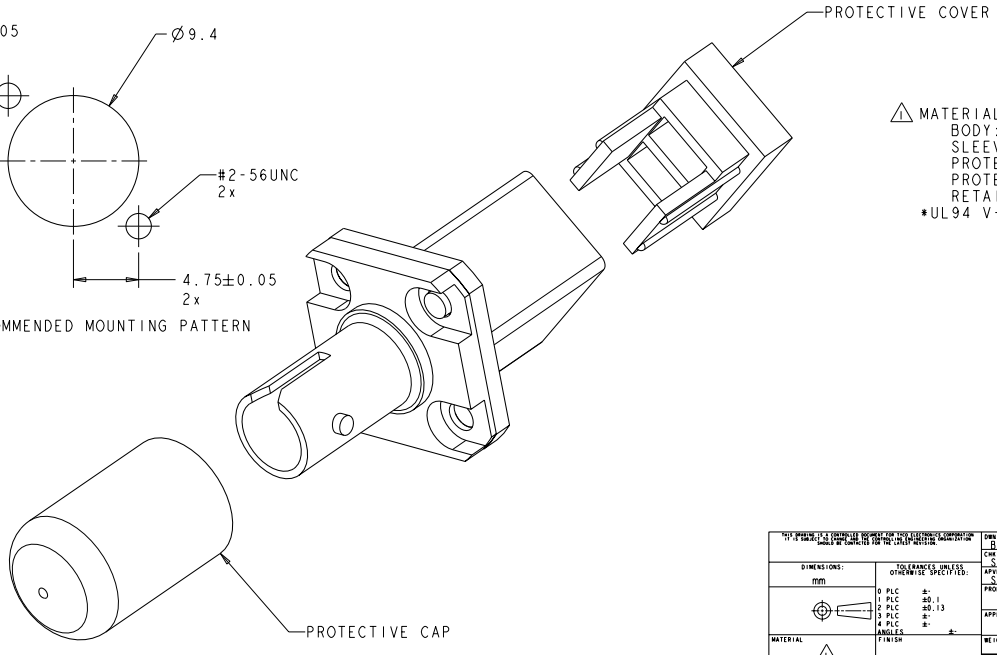


REVISIONS				
P	LYR	DESCRIPTION	DATE	BY
A		RELEASE TO ACTIVE	07JUN2006	BB SM
B		REVISE PER ECR-07-013451	26JUN2007	BB SM



△ MATERIAL:  
 BODY: ZINC DIECAST, NICKEL PLATED  
 SLEEVE: SEE DASH NUMBERS  
 PROTECTIVE CAP: VINYL  
 PROTECTIVE COVER: TPE, COLOR: BLACK\*  
 RETAINER: PEI-GF30, COLOR: BLACK\*  
 \*UL 94 V-0 RATED AT QUALIFYING THICKNESS.



CERAMIC	5503638-2
METAL	5503638-1
ALIGNMENT SLEEVE	PART NUMBER

DIMENSIONS: mm 0 PLC ±0.1 1 PLC ±0.13 2 PLC ±0.13 3 PLC ±0.13 4 PLC ±0.13 ANGLES ±0.1 FINISH -		OWN: B. BRIGGS 06JUN2005 CEC: S. MILLER 06JUN2005 APD: S. BUCHTER 06JUN2005	Tyco Electronics Harrisburg, PA 17105-3608
PRODUCT SPEC: - APPLICATION SPEC: - WEIGHT: - CUSTOMER DRAWING: -		NAME: ASSEMBLY, COUPLING BUSHING, 2.5mm BAYONET TO AMP SC SHEET: A2 CASE CODE: 00779 DRAWING NO: 5503638	RESTRICTED TO: - SCALE: 5:1 SHEET: 1 OF 1 REV: B