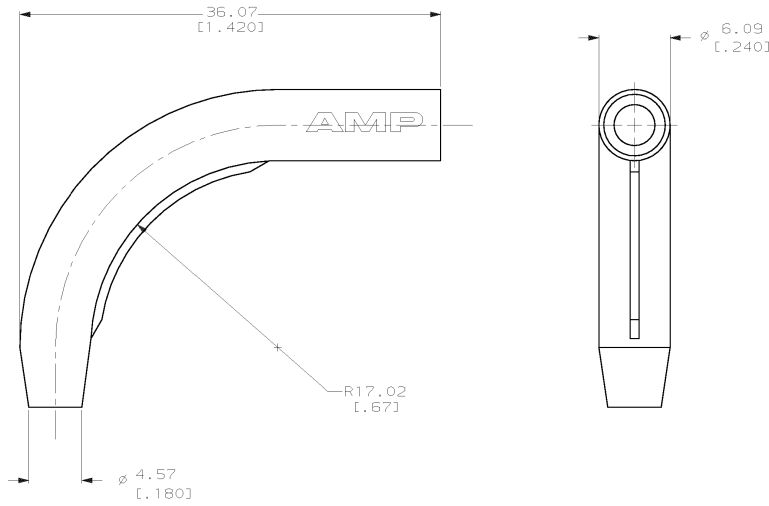


THIS DRAWING IS UNPUBLISHED. RELEASED FOR PUBLICATION 19
 © COPYRIGHT 19 BY AMP INCORPORATED. ALL INTERNATIONAL RIGHTS RESERVED.

LOC	DIST	P	F	ZONE	LTR	REVISIONS	DATE	APPO
CE	16					E REVISED PER 0A00-0546-00	15JUL00	TA/SB

△ BULK PACKAGED



COLOR	PART NO
△ WHITE	1-502667-4
△ GREEN	1-502667-2
△ YELLOW	1-502667-0
△ RED	502667-9
△ BEIGE	502667-8
△ BLUE	502667-7
△ BLACK	502667-6

DO NOT SCALE PRINT. UNLESS SPECIFIED DIMENSIONS IN mm (INCHES) TOLERANCES ON : 2 PLG DEC ± - 3 PLG DEC ± - ANGLES ± -	DR 3-16-92 L. COLLINS	AMP Incorporated Harrisburg, PA 17105-3608	
MATERIAL THERMOPLASTIC ELASTOMER	CHK 3-16-92 R. HILEMAN		
FINISH -	APPD 3-16-92 F. ANTONICELLI	NAME STRAIN RELIEF, RIGHT ANGLE, 2.5mm BAYONET, OPTIMATE®	
PRODUCT SPEC -	APPD 3-16-92 S. OWENS	SIZE C 00779	DRAWING NO 502667
APPLICATION SPEC -	WEIGHT -	SCALE 4:1	SHEET 1 OF 1