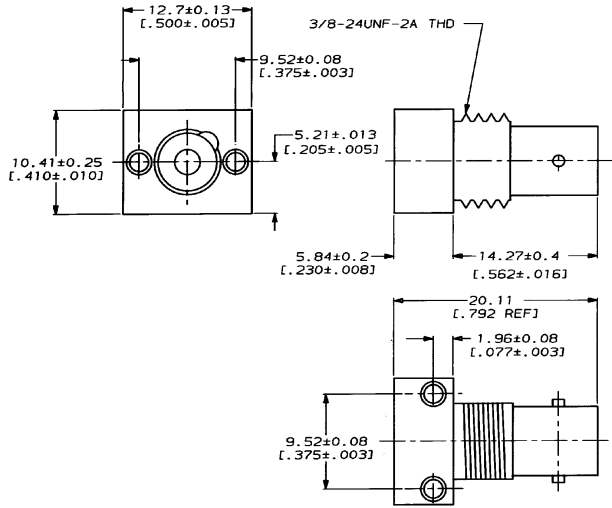
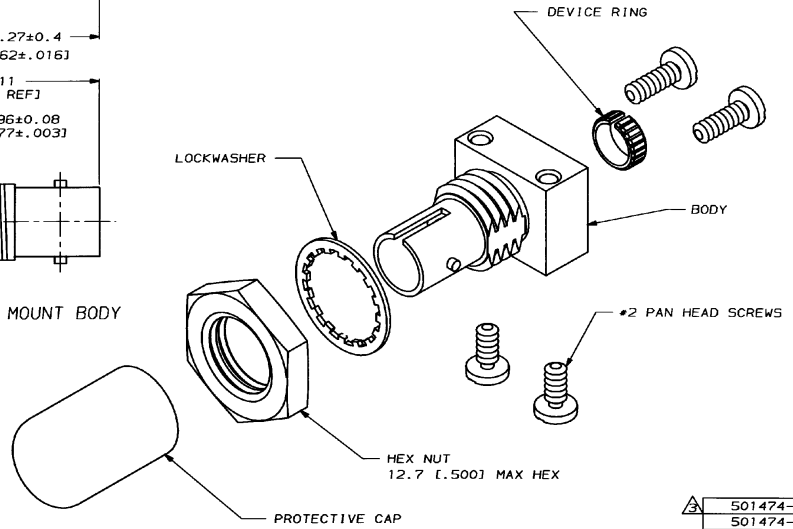


DRAWING MADE IN THIRD ANGLE PROJECTION
 THIS DRAWING IS UNPUBLISHED. RELEASED FOR PUBLICATION
 © COPYRIGHT 19 BY AMP INCORPORATED. ALL INTERNATIONAL RIGHTS RESERVED.

LOC	REV	ZONE	LTR	DESCRIPTION	DATE	APPD
CE	16		A	REDRAWN PER CE-1231	5-5-88	CE/AP
			B	ADDED -2 PER NPR 89-133	7-25-89	RH/MP
			C	REV PER CE-1907	2-28-90	RH/MP



ACTIVE DEVICE MOUNT BODY



1. DIMENSIONS IN [] ARE IN INCHES.
 2. ACCEPTS ACTIVE DEVICES, TO-52, TO-18, TO-46, OR LOW COST HONEYWELL SWEETSPOT.
- ▲ BULK PACKAGED.

▲	501474-2
	501474-1
	PART NUMBER

DO NOT SCALE PRINT. UNLESS SPECIFIED DIMENSIONS IN mm TOLERANCES: 0.1	DR C. EISENHOUR 5-5-88	AMP AMP INCORPORATED Murrysburg, Pa. 17105
2 PLG DEC ±	CHK J. ZEIDERS 5-6-88	
3 PLG DEC ±	APPD A. PLOTTIS 5-6-88	NAME ACTIVE DEVICE MOUNT KIT, 2.5mm BAYONET, OPTIMATE
ANGLES ±	APPD K. MONROE 5-6-88	
MATERIAL ADM BODY: ZINC	PRODUCT SPEC	SIZE C 00779
FINISH ADM BODY: NICKEL	APPLICATION SPEC	FSCM NO DRAWING NO 501474
	WEIGHT	SCALE 4:1
		SHEET 1 OF 1

METRIC

CUSTOMER DRAWING

501474

A