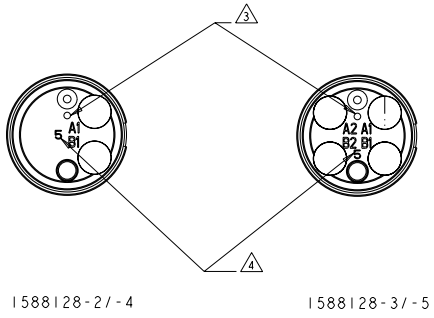
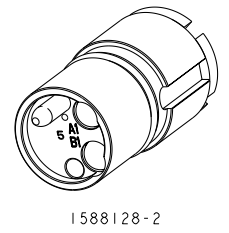
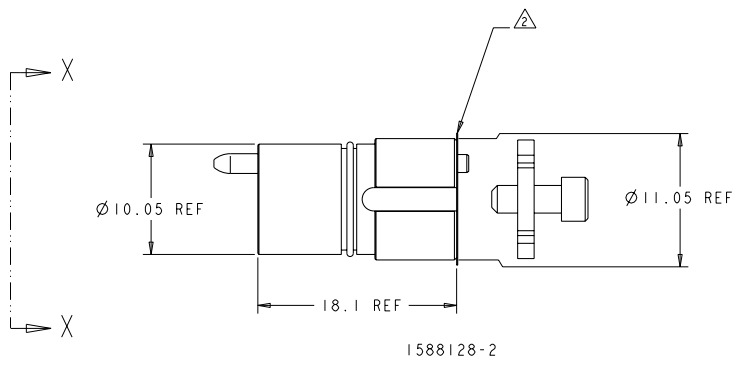


THIS DRAWING IS UNPUBLISHED. RELEASED FOR PUBLICATION BY TYCO ELECTRONICS CORPORATION. ALL RIGHTS RESERVED. COPYRIGHT 20

REV	DATE	BY	CHKD	APPROV
B	08JUN04	KG	DW	
C	21AUG07	KG	DW	
D	22MAY2009	KG	DW	
D1	03NOV2009	KG	DW	

- NOTES:**
- THIS PRODUCT HAS NOT COMPLETED VALIDATION TESTING.
  - PROTECTIVE LABEL APPLIED AFTER FINAL CLEAN ROOM TEST TO PREVENT OPTICAL CAVITY CONTAMINATION. REMOVE ONLY WHEN READY TO ASSEMBLE.
  - SINGLEMODE IDENTIFIER
  - OPTIMIZED FOR 1550nm IDENTIFIER.
  - FOR USE WITH JACKETED CABLE FERRULE ASSEMBLY P/N 1754456-1, 125um, OR 1754456-2, 126um. ONE PER FIBER; PC-POLISH.
  - FOR USE WITH FERRULE ASSEMBLY KIT P/N 1754700-1, 125um, OR 1754700-2, 126um. ONE PER FIBER; PC-POLISH.



VIEW X - X  
(SHOWN WITHOUT PROTECTIVE LABEL)

REV	DESCRIPTION	PART NUMBER
4	4 CHANNEL, 1550nm SM	1588128-5
2	2 CHANNEL, 1550nm SM	1588128-4
4	4 CHANNEL, 1550nm SM	1588128-3
2	2 CHANNEL, 1550nm SM	1588128-2
1	1 CHANNEL, 1550nm SM	1588128-1

DIMENSIONS:		TOLERANCES UNLESS OTHERWISE SPECIFIED:		MATERIAL:		FINISH:		WEIGHT:		REVISIONS:	
mm		0 PLC	±.1	STAINLESS						1	16
		1 PLC	±.1	ALLOYS & NBR						2	CE
		2 PLC	±.1							3	
		3 PLC	±.1							4	
		4 PLC	±.1							5	
		5 PLC	±.1							6	
		ANGLES	±.1								
		FINISH									