

4

3

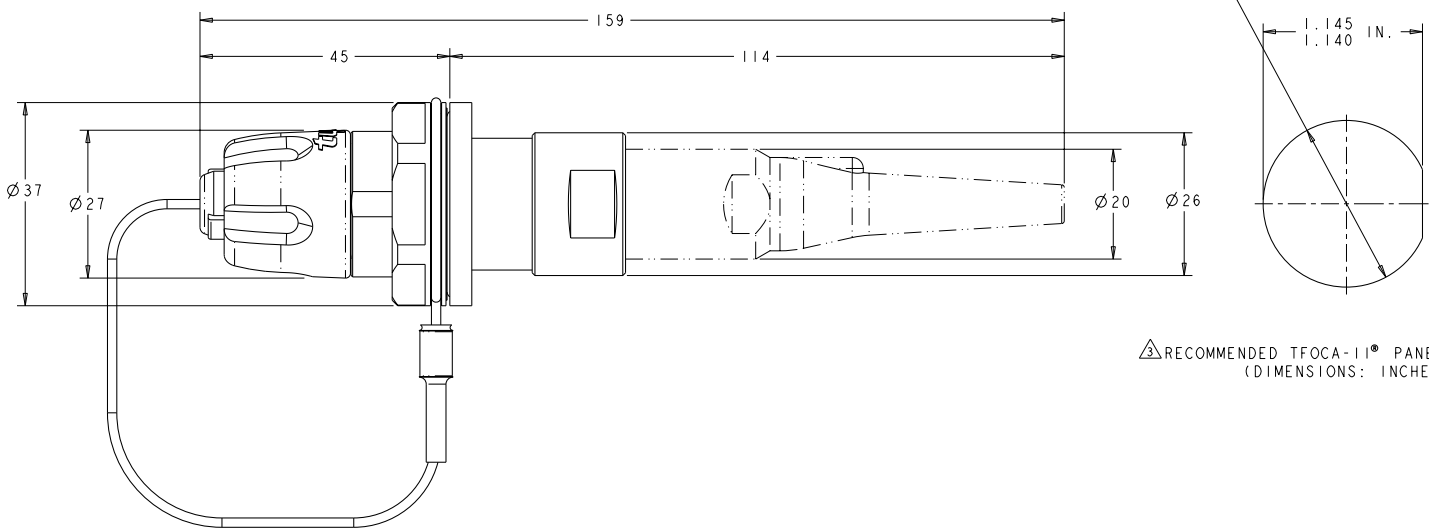
2

1

THIS DRAWING IS UNPUBLISHED. RELEASED FOR PUBLICATION BY TYCO ELECTRONICS CORPORATION. ALL RIGHTS RESERVED. COPYRIGHT 20

REV	DATE	BY	CHKD	APPROV
1	PPR 06-898		29SEP08	KG DW
A	ECR-08-027292		29OCT2008	KG DW

- ASSEMBLY SHOWN FOR REFERENCE ONLY. SHIPPED LOOSE PIECE AS SHOWN ON PAGE 2.
- ALL ASSEMBLY DIMENSIONS ARE FOR REFERENCE ONLY.
 \triangle PANEL SHOULD BE BETWEEN 3.2mm AND 6.4mm (1/8 TO 1/4 INCH) THICKNESS.
- THIS PRODUCT HAS NOT COMPLETED VALIDATION TESTING.
- COMPLETE THE CONNECTOR ASSEMBLY BY ADDING EACH OF THE FOLLOWING PRO BEAM JR KITS:
 - EXPANDED BEAM INSERT ASSEMBLY KIT
 - CABLE ADAPTER KIT, SIZED TO THE CABLE JACKET DIAMETER
 - FERRULE KIT, ONE PER FIBER



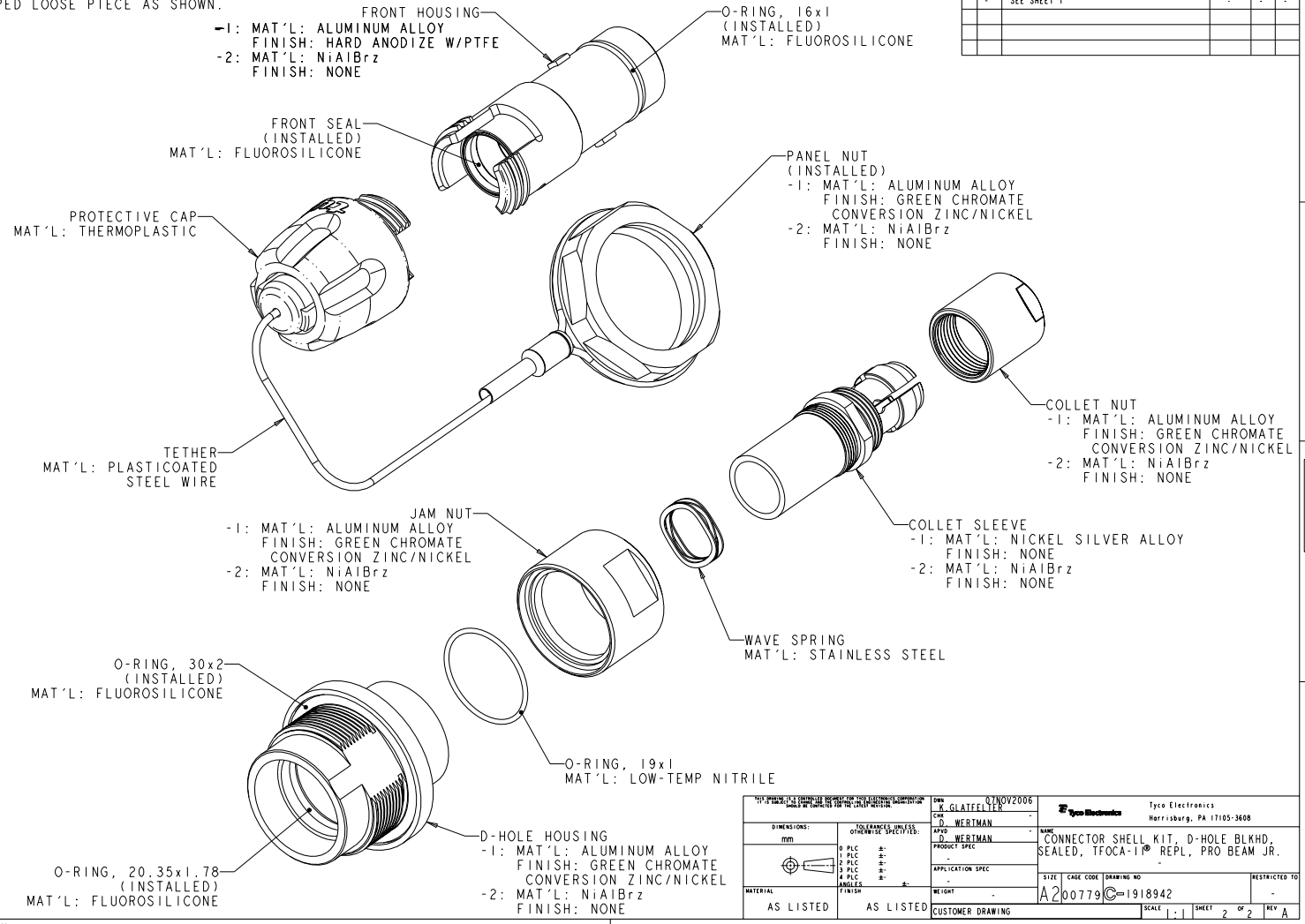
\triangle RECOMMENDED TFOCA-11[®] PANEL CUT-OUT (DIMENSIONS: INCHES)

TFOCA-11[®] IS A REGISTERED TRADEMARK OF FIBER SYSTEMS INTERNATIONAL CORP.

NONE	NICKEL ALUMINUM BRONZE	1918942-2
OLIVE DRAB	ALUMINUM	1918942-1
FINISH	HOUSING ALLOY	PART NUMBER

DIMENSIONS: mm		DATE: 07NOV2006	BY: R. GLATFELTER	CHKD: D. WERIMAN	APPROV: D. WERIMAN	NAME: D. WERIMAN	TYCO ELECTRONICS	TYCO ELECTRONICS	HARRISBURG, PA 17105-3608
0 PLC	+	PRODUCT SPEC							
1 PLC	+	APPLICATION SPEC							
2 PLC	+	WEIGHT							
3 PLC	+	FINISH							
4 PLC	+								
5 PLC	+								
6 PLC	+								
7 PLC	+								
8 PLC	+								
9 PLC	+								
10 PLC	+								
11 PLC	+								
12 PLC	+								
13 PLC	+								
14 PLC	+								
15 PLC	+								
16 PLC	+								
17 PLC	+								
18 PLC	+								
19 PLC	+								
20 PLC	+								
21 PLC	+								
22 PLC	+								
23 PLC	+								
24 PLC	+								
25 PLC	+								
26 PLC	+								
27 PLC	+								
28 PLC	+								
29 PLC	+								
30 PLC	+								
31 PLC	+								
32 PLC	+								
33 PLC	+								
34 PLC	+								
35 PLC	+								
36 PLC	+								
37 PLC	+								
38 PLC	+								
39 PLC	+								
40 PLC	+								
41 PLC	+								
42 PLC	+								
43 PLC	+								
44 PLC	+								
45 PLC	+								
46 PLC	+								
47 PLC	+								
48 PLC	+								
49 PLC	+								
50 PLC	+								
51 PLC	+								
52 PLC	+								
53 PLC	+								
54 PLC	+								
55 PLC	+								
56 PLC	+								
57 PLC	+								
58 PLC	+								
59 PLC	+								
60 PLC	+								
61 PLC	+								
62 PLC	+								
63 PLC	+								
64 PLC	+								
65 PLC	+								
66 PLC	+								
67 PLC	+								
68 PLC	+								
69 PLC	+								
70 PLC	+								
71 PLC	+								
72 PLC	+								
73 PLC	+								
74 PLC	+								
75 PLC	+								
76 PLC	+								
77 PLC	+								
78 PLC	+								
79 PLC	+								
80 PLC	+								
81 PLC	+								
82 PLC	+								
83 PLC	+								
84 PLC	+								
85 PLC	+								
86 PLC	+								
87 PLC	+								
88 PLC	+								
89 PLC	+								
90 PLC	+								
91 PLC	+								
92 PLC	+								
93 PLC	+								
94 PLC	+								
95 PLC	+								
96 PLC	+								
97 PLC	+								
98 PLC	+								
99 PLC	+								
100 PLC	+								

1. SHIPPED LOOSE PIECE AS SHOWN.



LOC		DIST		REVISIONS			
CE	16	P	LYA	DESCRIPTION	DATE	OWN	APVS
		-		SEE SHEET 1	-	-	-

DIMENSIONS: mm 		TO DIMENSIONS UNLESS OTHERWISE SPECIFIED. DIMENSIONS IN PARENTHESES ARE FOR THE LOCAL MARKET.	DWN: 07NOV2006 R. GLATFELTER CDR: WERTMAN APP'D: WERTMAN	Tyco Electronics Harrisburg, PA 17105-3608
MATERIAL: AS LISTED	FINISH: AS LISTED	APPLICATION SPEC: WEIGHT: CUSTOMER DRAWING	NAME: CONNECTOR SHELL KIT, D-HOLE BLKHD, SEALED, TFOCA-1 [®] REPL, PRO BEAM JR.	SHEET: A200779 CASE CODE: C-1918942 DRAWING NO:
RESTRICTED TO			SCALE: 1:1	SHEET: 2 OF 2 REV: A