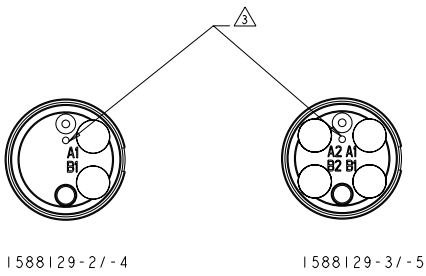
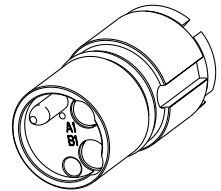
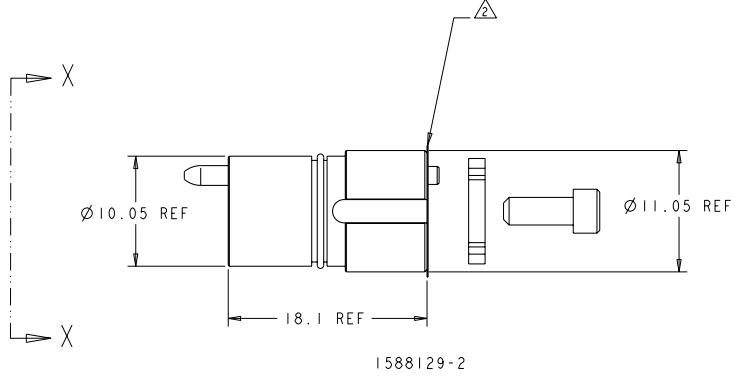


THIS DRAWING IS UNPUBLISHED. RELEASED FOR PUBLICATION BY TYCO ELECTRONICS CORPORATION. ALL RIGHTS RESERVED. COPYRIGHT 20

LOC	DIST	REVISIONS			
P	LYR	DESCRIPTION	DATE	BY	APPR
E1		ECR-09-024182	09/02/2009	KG	DW

- NOTES:**
- 1. THIS PRODUCT HAS NOT COMPLETED VALIDATION TESTING.
 - ⚠ PROTECTIVE LABEL APPLIED AFTER FINAL CLEAN ROOM TEST TO PREVENT OPTICAL CAVITY CONTAMINATION. REMOVE ONLY WHEN READY TO ASSEMBLE.
 - ⚠ SINGLEMODE IDENTIFIER
 - ⚠ FOR USE WITH JACKETED CABLE FERRULE ASSEMBLY P/N 1754456-1, 125um, OR 1754456-2, 126um. ONE PER FIBER; PC-POLISH.
 - ⚠ FOR USE WITH FERRULE ASSEMBLY KIT P/N 1754700-1, 125um, OR 1754700-2, 126um. ONE PER FIBER; PC-POLISH.



VIEW X - X
(SHOWN WITHOUT PROTECTIVE LABEL)

⚠	4 CHANNEL, 1310nm SM	1588129-5
⚠	2 CHANNEL, 1310nm SM	1588129-4
⚠	4 CHANNEL, 1310nm SM	1588129-3
⚠	2 CHANNEL, 1310nm SM	1588129-2
⚠	1 CHANNEL, 1310nm SM	1588129-1
⚠	OBSELETE	

DESCRIPTION		PART NUMBER	
INSERT ASSEMBLY, MINI EB, 1310nm SM			
MATERIAL	STAINLESS ALLOYS & NBR	WEIGHT	N/A
FINISH		APPROVAL	
DATE	15 APR 2004	BY	K. GLATFELT
CHECKED	D. WERIMAN	DATE	07 JUN 2004
APPROVED	D. WERIMAN	DATE	07 JUN 2004
PRODUCT SPEC		APPLICATION SPEC	
STEE	A2	CAGE CODE	00779
DRAWING NO	1588129	RESTRICTED TO	
SCALE	4:1	SHEET	1 OF 1
CUSTOMER DRAWING		REV E	