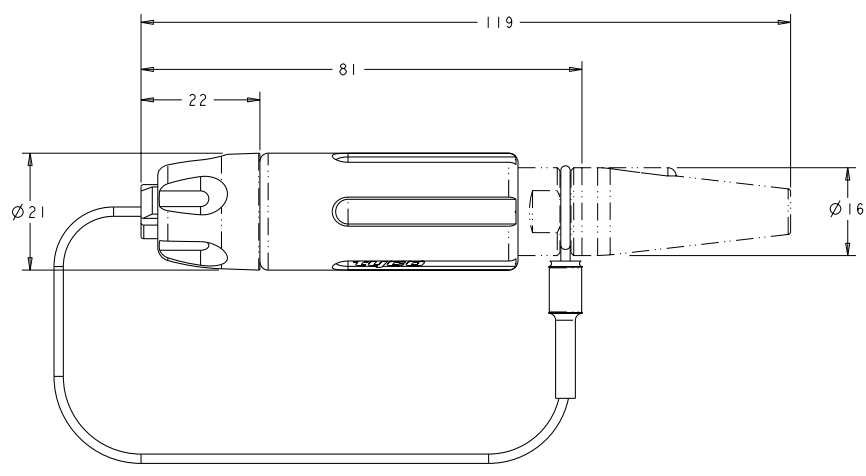


REV	DATE	BY	APPROV	DESCRIPTION
B	06JAN2009	KG	DW	ECR-09-000220

- ASSEMBLY SHOWN FOR REFERENCE ONLY. SHIPPED LOOSE PIECE AS SHOWN ON PAGE 2.
- ALL ASSEMBLY DIMENSION ARE FOR REFERENCE ONLY.
- COMPLETE THE CONNECTOR ASSEMBLY BY ADDING EACH OF THE FOLLOWING PRO BEAM MINI KITS:
 - EXPANDED BEAM INSERT ASSEMBLY KIT
 - CABLE ADAPTER KIT, SIZED TO THE CABLE JACKET DIAMETER
 - FERRULE KIT, ONE PER FIBER
- THIS PRODUCT HAS NOT COMPLETED VALIDATION TESTING.



SHOWN WITH CABLE ADAPTER KIT INSTALLED AS PHANTOM LINES FOR VISUAL AND DIMENSIONAL REFERENCE

FLUROSILICONE	NICKEL ALUMINUM BRONZE	1828698-4
	ALUMINUM	1828698-3
EPDM	NICKEL ALUMINUM BRONZE	1828698-2
	ALUMINUM	1828698-1
GRIP RING RUBBER	HOUSING ALLOY	PART NUMBER

DIMENSIONS: mm 0 P/LC ± 1 P/LC ± 2 P/LC ± 3 P/LC ± 4 P/LC ± ANGLES ± FINISH ±	OPERATING SPEC'S: HARD ANODIZE (A1 ONLY)	AUTHORITY: D. WERIMAN D. WERIMAN	DATE: 26 JUN 2005 26 JUN 2005	NAME: CONNECTOR SHELL KIT, PLUG PRO BEAM MINI	SHEET: A200779 CASE CODE: C=1828698 DRAWING NO: 1828698	RESTRICTED TO: B
---	---	--	-------------------------------------	--	---	------------------

4

3

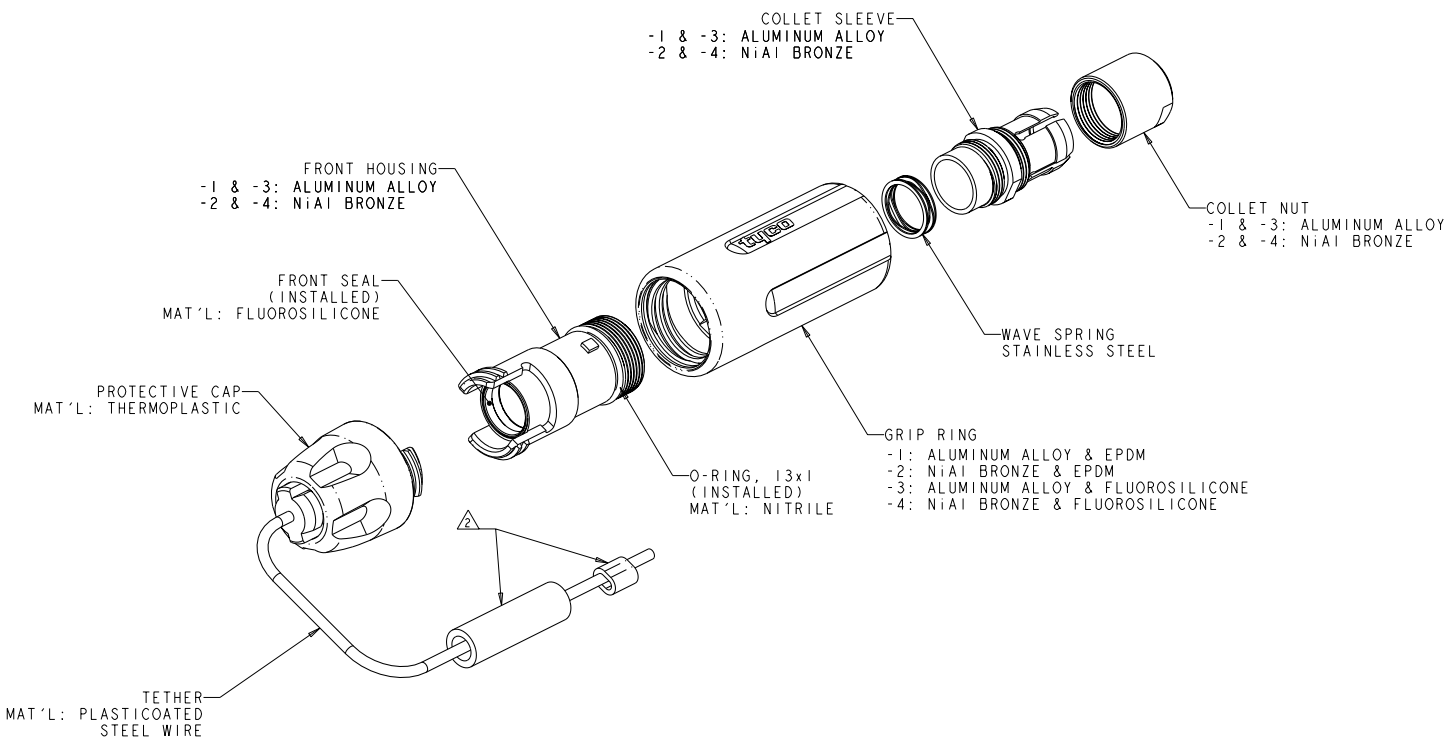
2

1

THIS DRAWING IS UNPUBLISHED. BY TYCO ELECTRONICS CORPORATION. ALL RIGHTS RESERVED.

LOC	DIST	REVISIONS					
CE	16	P	LYR	DESCRIPTION	DATE	BY	APVS
		-		SEE SHEET 1	-	-	-

1. SHIPPED LOOSE PIECE AS SHOWN.
 ⚠ TETHER ATTACHING LOOP TO BE COMPLETED ONTO CONNECTOR DURING TERMINATION ASSEMBLY.



DIMENSIONS: mm		TOLERANCES UNLESS OTHERWISE SPECIFIED:		DATE: 20 JUN 2005	BY: R. GLATFELT	Tyco Electronics Harrisburg, PA 17105-3608
		0 PLC ±.015 1 PLC ±.010 2 PLC ±.008 3 PLC ±.005 4 PLC ±.003 ANGLES ±.005 FINISH HARD ANODIZE (A1 ONLY)		APPROVED: D. WERIMAN	DATE: 20 JUN 2005	
MATERIAL: AS LISTED		WEIGHT: -		PART NAME: CONNECTOR SHELL KIT, PLUG PRO BEAM MINI		RESTRICTED TO: -
		CUSTOMER DRAWING		SHEET: A200779	CASE CODE: -	DRAWING NO: 1828698
				SCALE: 2:1		SHEET 2 OF 2 REV B

AMP 1471-9 REV 31MAR2000