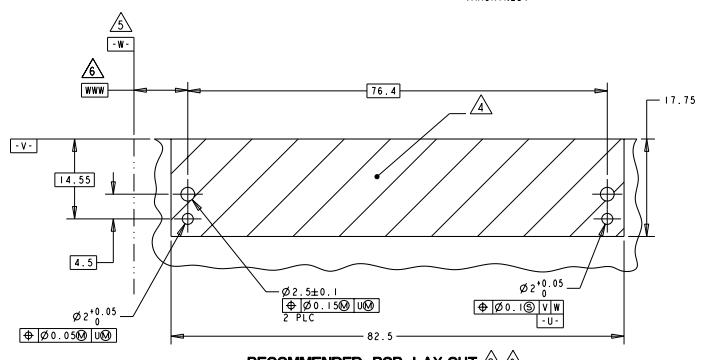
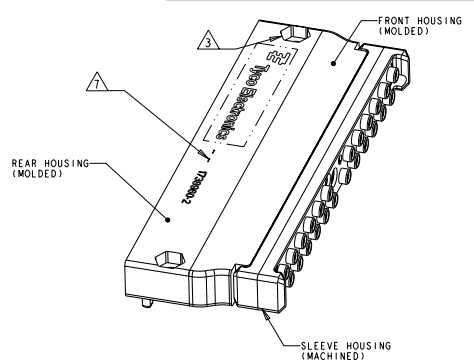


- △ SLEEVE HOUSING: ALUMINUM ALLOY 6061. FRONT & REAR HOUSING: GLASS-FILLED LCP THERMOPLASTIC. UL 94 V-0 RATED. COLOR: NATURAL (BEIGE). TERMINI RETENTION CLIP: STAINLESS STEEL PER AISI 301. SLEEVE HOUSING SCREW & HOUSING NUT: STAINLESS STEEL PER AISI 303. REAR SCREW AND BUTTON-HEAD SCREW: STAINLESS STEEL. SLEEVES: ZIRCONIA
  - △ SLEEVE HOUSING: ANODIZED PER MIL-A-8625. COLOR: GOLD.
  - △ POCKETS FOR 4.76 (3/16 in) HEX NUT
  - △ AREA REQUIRED FOR CONNECTOR PLACEMENT.
  - △ DATUM ESTABLISHED BY CUSTOMER.
  - △ BASIC DIMENSION ESTABLISHED BY CUSTOMER.
  - △ DATE CODE: YEAR & WEEK (YY WW)
  - △ MISALIGNMENT ALLOWED BETWEEN THE MODULE CONNECTOR & THE CUTOUT FOR THE BACKPLANE CONNECTOR. TYCO PART NUMBER 1738965-1: 1mm MAX
  - △ ACCOMMODATES PC BOARD THICKNESS RANGE 1.47-3.05 mm.
10. RECOMMENDED TERMINI APPLICATION TOOLING:  
 INSTALLING TOOL: DANIELS MFG. CORP. P/N DAK83-16  
 REMOVAL TOOL: DANIELS MFG. CORP. P/N DRK83-16
11. THE SLEEVE HOLDER ASSEMBLY, 1954573-1, IS AVAILABLE SEPARATELY.
12. LuxCis® IS A REGISTERED TRADEMARK OF RADIALL SA.

| REV | DATE      | BY  | APPV |
|-----|-----------|-----|------|
| A   | 08JUL2009 | RCF | JM   |



|                          |
|--------------------------|
| 1738960-2                |
| SUPERCEDED BY: 1738960-2 |
| 1738960-1                |

|                              |  |                             |  |  |
|------------------------------|--|-----------------------------|--|--|
| TYCO ELECTRONICS CORPORATION |  | DATE: 09MAY2004             | Tyco Electronics<br>Harrisburg, PA 17105-3608                    |  |
| DRAWN BY: JHM                |  | DATE: 09MAY2004             | PART NUMBER: 1738960-2   |  |
| CHECKED BY: JHM              |  | DATE: 09MAY2004             | NAME: CONNECTOR, MODULE, 24 POSITION, FOR LuxCis OPTICAL TERMINI |  |
| APPROVED BY: JHM             |  | PRODUCT SPEC: 108-2247      | RESTRICTED TO: -   |  |
| MATERIAL: 6061 ALUMINUM      |  | APPLICATION SPEC: 114-13192 | SCALE: 2:1   |  |
| FINISH: ANODIZED             |  | WEIGHT: -                   | SHEET 1 OF 1   |  |
| CUSTOMER DRAWING             |  | REVISION: A                 | REV: A   |  |