

4

3

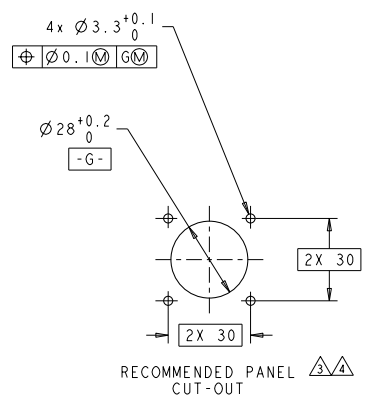
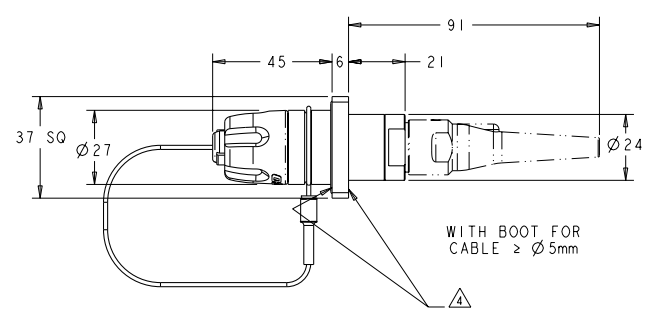
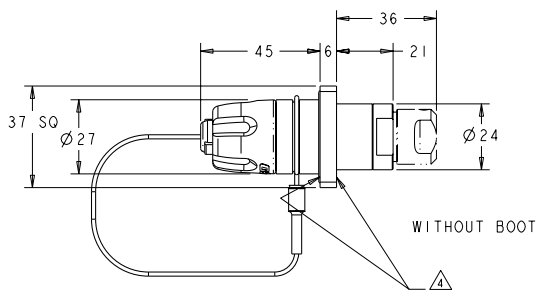
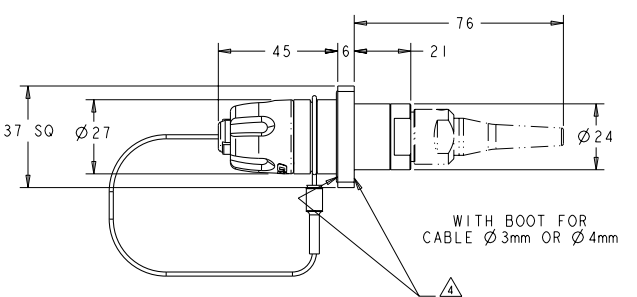
2

1

THIS DRAWING IS UNPUBLISHED. RELEASED FOR PUBLICATION BY TYCO ELECTRONICS CORPORATION. ALL RIGHTS RESERVED. COPYRIGHT 20

REV	DATE	BY	CHKD	APPROV
1	02JUN08	KG	DW	
A	29OCT2008	KG	DW	

- ASSEMBLY SHOWN FOR REFERENCE ONLY. SHIPPED LOOSE PIECE AS SHOWN ON PAGE 2.
- ALL ASSEMBLY DIMENSIONS ARE FOR REFERENCE ONLY.
  - △ PANEL THICKNESS: 6mm MAXIMUM.
  - △ CONNECTOR CAN BE INSTALLED AS FRONT-PANEL-MOUNT OR REAR-PANEL-MOUNT. POSITION 30x2 O-RING IN APPROPRIATE SIDE OF FLANGE.
- THIS PRODUCT HAS NOT COMPLETED VALIDATION TESTING.
- COMPLETE THE CONNECTOR ASSEMBLY BY ADDING EACH OF THE FOLLOWING PRO BEAM JR KITS:
  - A. EXPANDED BEAM INSERT ASSEMBLY KIT
  - B. CABLE ADAPTER KIT, SIZED TO THE CABLE JACKET DIAMETER
  - C. FERRULE KIT, ONE PER FIBER



VIEWS SHOWN WITH CABLE ADAPTER VARIATIONS IN PHANTOM LINES FOR VISUAL AND DIMENSIONAL PURPOSES ONLY

NICKEL ALUMINUM BRONZE	1918943-2
ALUMINUM	1918943-1
HOUSING ALLOY	PART NUMBER

DATE: 08NOV2006	DESIGNER: X. GLATEL	BY: W. WERIMAN	DATE: 02JUN2008	NAME: CONNECTOR SHELL KIT, STD. SO-FLANGE BULKHEAD, PRO BEAM JR.
APPROVED: W. WERIMAN	DATE: 02JUN2008	APPROVED: W. WERIMAN	DATE: 02JUN2008	APPROVED: W. WERIMAN
MATERIAL: HARD ANODIZE (AL ONLY)	WEIGHT: CUSTOMER DRAWING	SCALE: 1:1	SHEET: 1 OF 2	REV: A

4

3

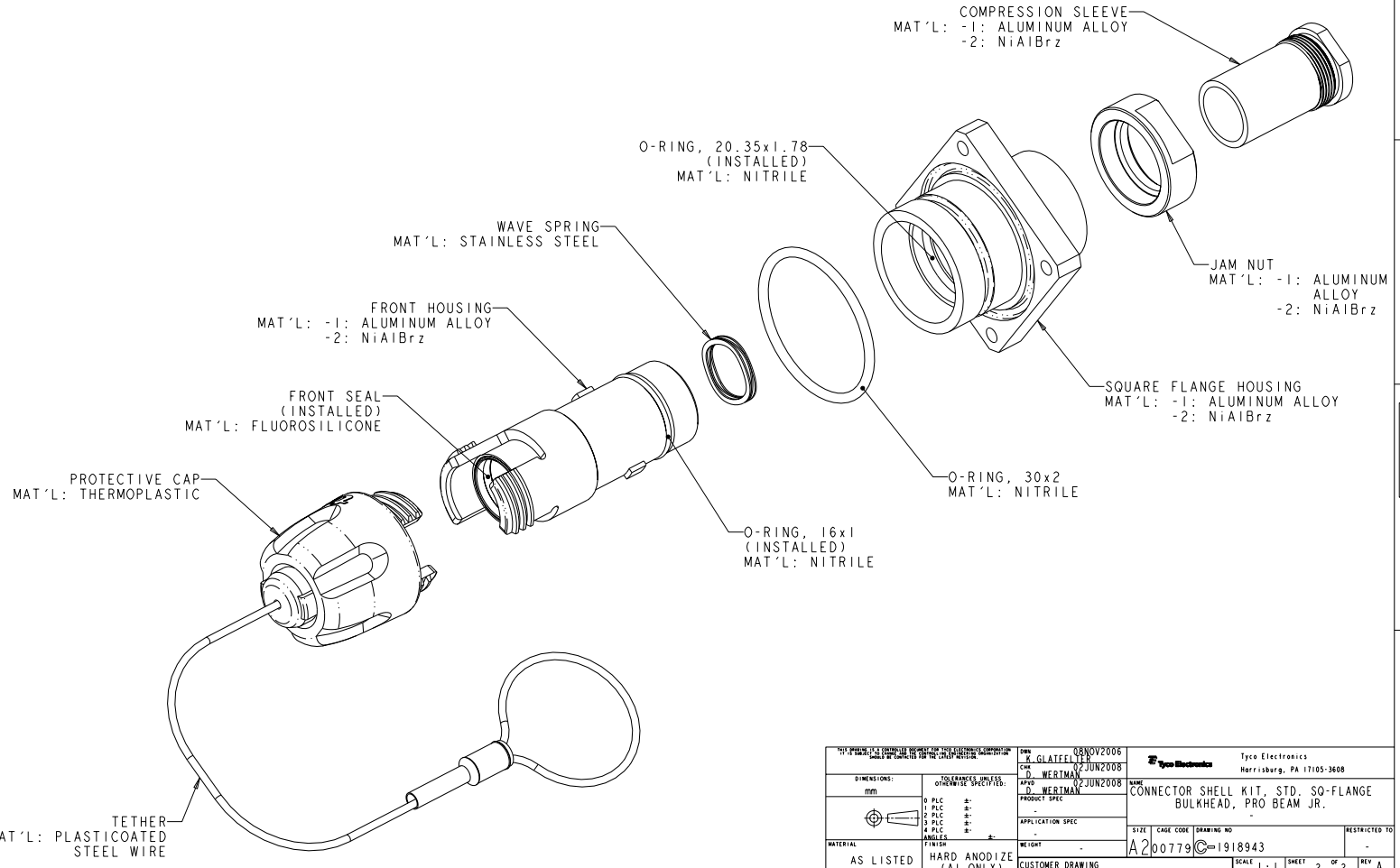
2

1

THIS DRAWING IS UNPUBLISHED. RELEASED FOR PUBLICATION BY TYCO ELECTRONICS CORPORATION. ALL RIGHTS RESERVED. COPYRIGHT 20

LOC		DIST		REVISIONS			
P	LYR	DESCRIPTION	DATE	BY	APPR		
-	-	SEE SHEET 1	-	-	-	-	-

1. SHIPPED LOOSE PIECE AS SHOWN.



DIMENSIONS: mm		TOLERANCES UNLESS OTHERWISE SPECIFIED:		DATE: 08 NOV 2006	Tyco Electronics Harrisburg, PA 17105-3608	
AS LISTED		HARD ANODIZE (A1 ONLY)		DESIGNER: R. GLATFELT	NAME: CONNECTOR SHELL KIT, STD. SQ-FLANGE BULKHEAD, PRO BEAM JR.	
MATERIAL		FINISH		APPROVED: D. WERIMAN	DATE: 02 JUN 2008	RESTRICTED TO
				PRODUCT SPEC	APPLICATION SPEC	SCALE: 1:1
				WEIGHT	SHEET: A200779	REV: 2
				CUSTOMER DRAWING	DRAWING NO: 1918943	SHEET 2 OF 2

AMP 1471-B REV 31MAR2000