

4

3

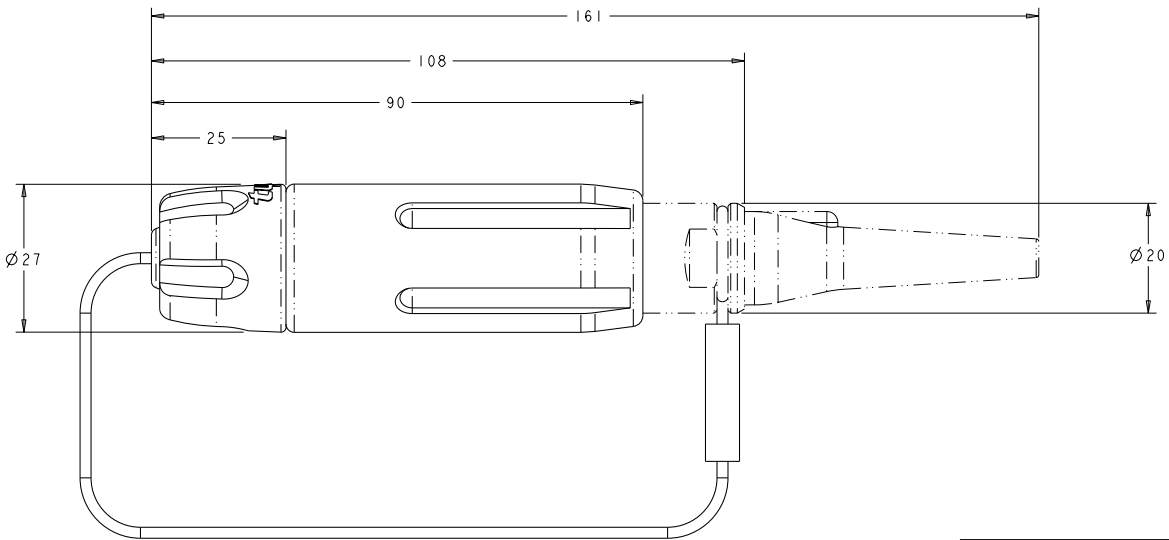
2

1

THIS DRAWING IS UNPUBLISHED. RELEASED FOR PUBLICATION
 BY TYCO ELECTRONICS CORPORATION. ALL RIGHTS RESERVED.

REV	DATE	BY	APPROV	DESCRIPTION
1	02JUN08	KG	DW	PPR 06-893
A	29OCT2008	KG	DW	ECR-08-027292

1. ASSEMBLY SHOWN FOR REFERENCE ONLY. SHIPPED LOOSE PIECE AS SHOWN ON PAGE 2.
2. ALL ASSEMBLY DIMENSIONS ARE FOR REFERENCE ONLY.
3. THIS PRODUCT HAS NOT COMPLETED VALIDATION TESTING.
4. COMPLETE THE CONNECTOR ASSEMBLY BY ADDING EACH OF THE FOLLOWING PRO BEAM JR KITS:
 - A. EXPANDED BEAM INSERT ASSEMBLY KIT
 - B. CABLE ADAPTER KIT, SIZED TO THE CABLE JACKET DIAMETER
 - C. FERRULE KIT, ONE PER FIBER



VIEW SHOWN WITH
 CABLE ADAPTER KIT INSTALLED
 AS PHANTOM LINES FOR VISUAL
 AND DIMENSIONAL PURPOSES ONLY

NICKEL ALUMINUM BRONZE	1918937-2
ALUMINUM	1918937-1
HOUSING ALLOY	PART NUMBER

DIMENSIONS: mm		TO: <input type="checkbox"/> PLG <input checked="" type="checkbox"/> <input type="checkbox"/> <input type="checkbox"/> PLG <input checked="" type="checkbox"/> <input type="checkbox"/> <input type="checkbox"/> PLG <input checked="" type="checkbox"/> <input type="checkbox"/> <input type="checkbox"/> PLG <input checked="" type="checkbox"/> <input type="checkbox"/> <input type="checkbox"/> PLG <input checked="" type="checkbox"/> <input type="checkbox"/> ANGLES <input type="checkbox"/> FINISH <input type="checkbox"/>		DATE: 01NOV2006 CHK: R. GLATFELT APPR: D. WERIMAN DATE: 02JUN2008 NAME: D. WERIMAN		Tyco Electronics Harrisburg, PA 17105-3608	
MATERIAL: HARD ANODIZE (AL ONLY)		WEIGHT: - CUSTOMER DRAWING		SIZE: A200779 CASE CODE: C=1918937 DRAWING NO: 1918937-1		RESTRICTED TO: -	
SCALE: 2:1				SHEET 1 OF 2		REV A	

4

3

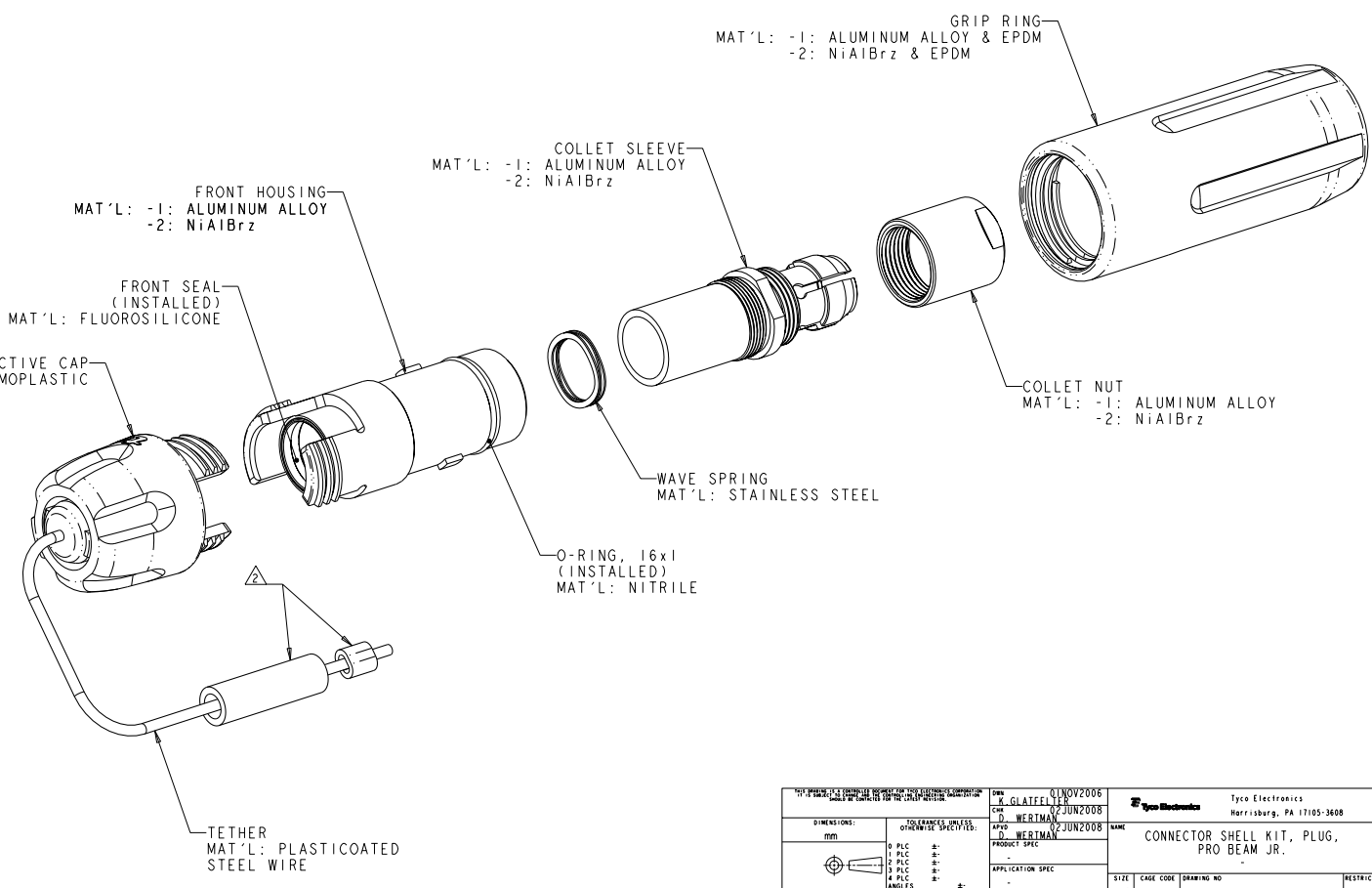
2

1

THIS DRAWING IS UNPUBLISHED. RELEASED FOR PUBLICATION BY TYCO ELECTRONICS CORPORATION. ALL RIGHTS RESERVED. COPYRIGHT 20

REVISONS		DATE	BY	APPR
P	LYA			
-	SEE SHEET 1	-	-	-

1. SHIPPED LOOSE PIECE AS SHOWN.
 ⚠ TETHER ATTACHING LOOP TO BE COMPLETED ONTO CONNECTOR DURING TERMINATION ASSEMBLY.



DIMENSIONS:		DATE: 01NOV2006		BY: R. GLATFELT		APPROVED: D. WERIMAN		DATE: 02JUN2008		NAME: D. WERIMAN	
mm		TOLERANCES UNLESS OTHERWISE SPECIFIED:		PRODUCT SPEC:		APPLICATION SPEC:		WEIGHT:		RESTRICTED TO:	
AS LISTED		HARD ANODIZE (AL ONLY)		CUSTOMER DRAWING		SCALE: 1:1		SHEET 2 OF 2		REV A	