

4

3

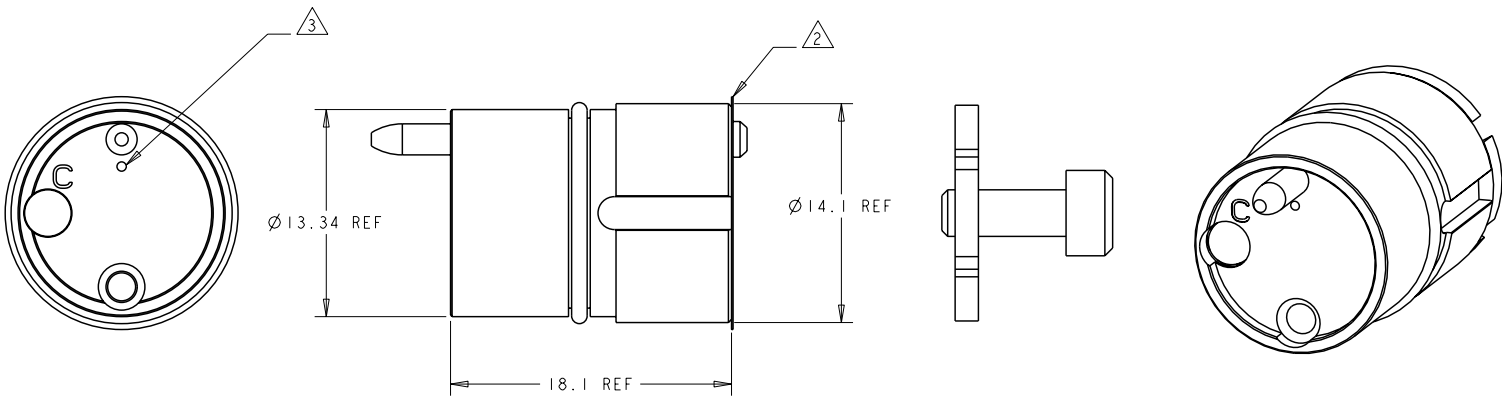
2

1

THIS DRAWING IS UNPUBLISHED. RELEASED FOR PUBLICATION 20
 © COPYRIGHT 20 BY TYCO ELECTRONICS CORPORATION. ALL RIGHTS RESERVED.

LOC	DIST	REVISIONS					
CE	16	P	LTR	DESCRIPTION	DATE	DWN	APVD
		D		RELEASE PER 0A00-0185-04	08JUN04	KG	DW
		E		REVISE PER 0A00-0128-05	15APR05	KG	DW
		EI		ECR-09-003452	13FEB2009	KG	DW

- NOTES:**
- USE WITH FERRULE ASSEMBLY KIT P/N 1588908-2 (125um), OR 1588908-1 (126um). QUANTITY OF 1 REQUIRED. FERRULE MUST BE PC-POLISHED DURING FIBER TERMINATION FOR BEST PERFORMANCE.
 - PROTECTIVE LABEL APPLIED AFTER FINAL CLEAN ROOM TEST TO PREVENT OPTICAL CAVITY CONTAMINATION. REMOVE ONLY WHEN READY TO ASSEMBLE.
 - SINGLEMODE IDENTIFIER
 - THIS PRODUCT HAS NOT COMPLETED VALIDATION TESTING.



1 CHANNEL, 1310nm SM, FLUOROSILICONE	1515738-2
1 CHANNEL, 1310nm SM, NBR	1515738-1
DESCRIPTION	PART NUMBER

<small>THIS DRAWING IS A CONTROLLED DOCUMENT FOR TYCO ELECTRONICS CORPORATION AND IS SUBJECT TO CHANGE. THE CONTROLLING ENGINEERING ORGANIZATION SHOULD BE CONTACTED FOR THE LATEST REVISION.</small>		DWN 16 APR 2004 K. GLATELTER CHK D. WERTMAN 07 JUN 2004 APVD D. WERTMAN 07 JUN 2004	Tyco Electronics Harrisburg, PA 17105-3608
DIMENSIONS: mm	TOLERANCES UNLESS OTHERWISE SPECIFIED: 0 PLC ± 1 PLC ± 2 PLC ± 3 PLC ± 4 PLC ± ANGLES ±	NAME INSERT ASSEMBLY, PRO BEAM JR., 1 CHANNEL, 1310nm SM	RESTRICTED TO
MATERIAL STAINLESS ALLOYS, NBR/FLUOROSILICONE	FINISH N/A	APPLICATION SPEC - PRODUCT SPEC - WEIGHT -	SIZE A3 CAGE CODE 00779 DRAWING NO 1515738
AMP 1470-19 REV 31MAR2000 Pro/ENGINEER DRAWING		CUSTOMER DRAWING	SCALE 4:1 SHEET 1 OF 1 REV E I