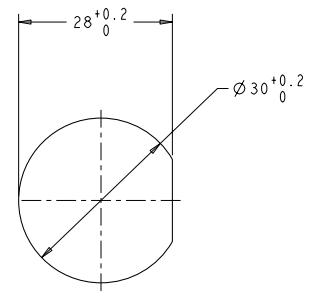
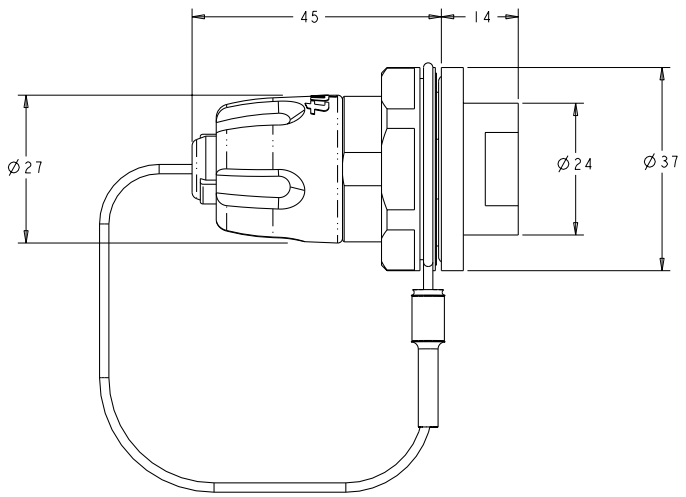


THIS DRAWING IS UNPUBLISHED. RELEASED FOR PUBLICATION BY TYCO ELECTRONICS CORPORATION. ALL RIGHTS RESERVED. COPYRIGHT 20

1. ASSEMBLY SHOWN FOR REFERENCE ONLY. SHIPPED LOOSE PIECE AS SHOWN ON PAGE 2.
2. ALL ASSEMBLY DIMENSIONS ARE FOR REFERENCE ONLY.
3. PANEL SHOULD BE BETWEEN 1mm AND 4mm THICKNESS.
4. THIS PRODUCT HAS NOT COMPLETED VALIDATION TESTING.
5. COMPLETE THE CONNECTOR ASSEMBLY BY ADDING EACH OF THE FOLLOWING PRO BEAM JR KITS:
 - A. EXPANDED BEAM INSERT ASSEMBLY KIT
 - B. FERRULE KIT, ONE PER FIBER

REV	DATE	BY	APPROV
1	14JUN06	KG	DW
A	18FEB2009	KG	DW



RECOMMENDED PANEL CUT-OUT

6828413-1
PART NUMBER

DIMENSIONS: mm 0 PLC ± 1 PLC ± 2 PLC ± 3 PLC ± 4 PLC ± ANGLES ± FINISH -		TO TOLERANCES UNLESS OTHERWISE SPECIFIED. DWG: K. GLATFELT CHK: D. WERIMAN APPR: D. WERIMAN		DATE: 08 JUN 2006 DATE: 14 JUN 2006 DATE: 14 JUN 2006		Tyco Electronics Harrisburg, PA 17105-3608	
MATERIAL: - FINISH: HARD ANODIZE		APPLICATION SPEC: - WEIGHT: - CUSTOMER DRAWING		NAME: CONNECTOR SHELL KIT, PRO BEAM JR. D-HOLE LP BULKHEAD, 2.1mm SIZE: A200779 CASE CODE: C-6828413		DRAWING NO: - SCALE: 2:1 SHEET 1 OF 2 REV A	

4

3

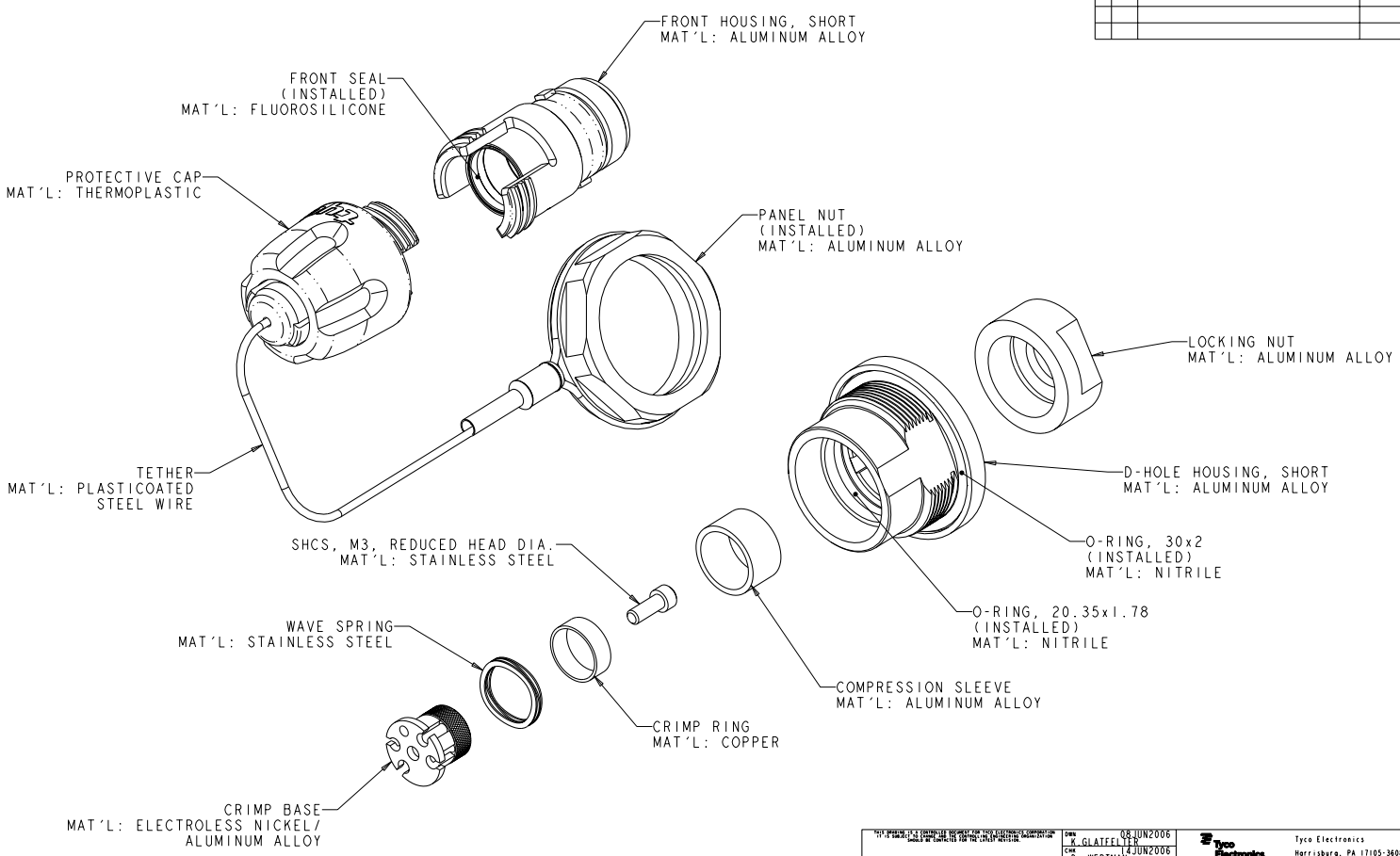
2

1

THIS DRAWING IS UNPUBLISHED. RELEASED FOR PUBLICATION BY TYCO ELECTRONICS CORPORATION. ALL RIGHTS RESERVED. COPYRIGHT 20

LOC		DIST		REVISIONS			
P	LYR	DESCRIPTION	DATE	BY	APPR		
-	-	SEE SHEET 1	-	-	-	-	-

1. SHIPPED LOOSE PIECE AS SHOWN.



DIMENSIONS:		TOLERANCES UNLESS OTHERWISE SPECIFIED:		OWN	08 JUN 2006	Tyco Electronics Harrisburg, PA 17105-3608	
mm		FRACTIONS DECIMALS		DESIGNER	R. GLATFELTY	NAME	
Ø		Ø PLC	±	APP'D	D. WERIMAN	CONNECTOR SHELL KIT, PRO BEAM JR.	
H		PLC	±	DATE	14 JUN 2006	D-HOLE LP BULKHEAD, 2.1mm	
L		PLC	±	PRODUCT SPEC		STATE CASE CODE DRAWING NO	
R		PLC	±	APPLICATION SPEC		A200779-6828413	
Ø		PLC	±	WEIGHT		RESTRICTED TO	
ANGLES		PLC	±	CUSTOMER DRAWING		SCALE 2:1 SHEET 2 OF 2 REV A	
FINISH		FINISH	±				
MATERIAL		AS LISTED					

AMP 1471-B REV 31MAR2006