

4

3

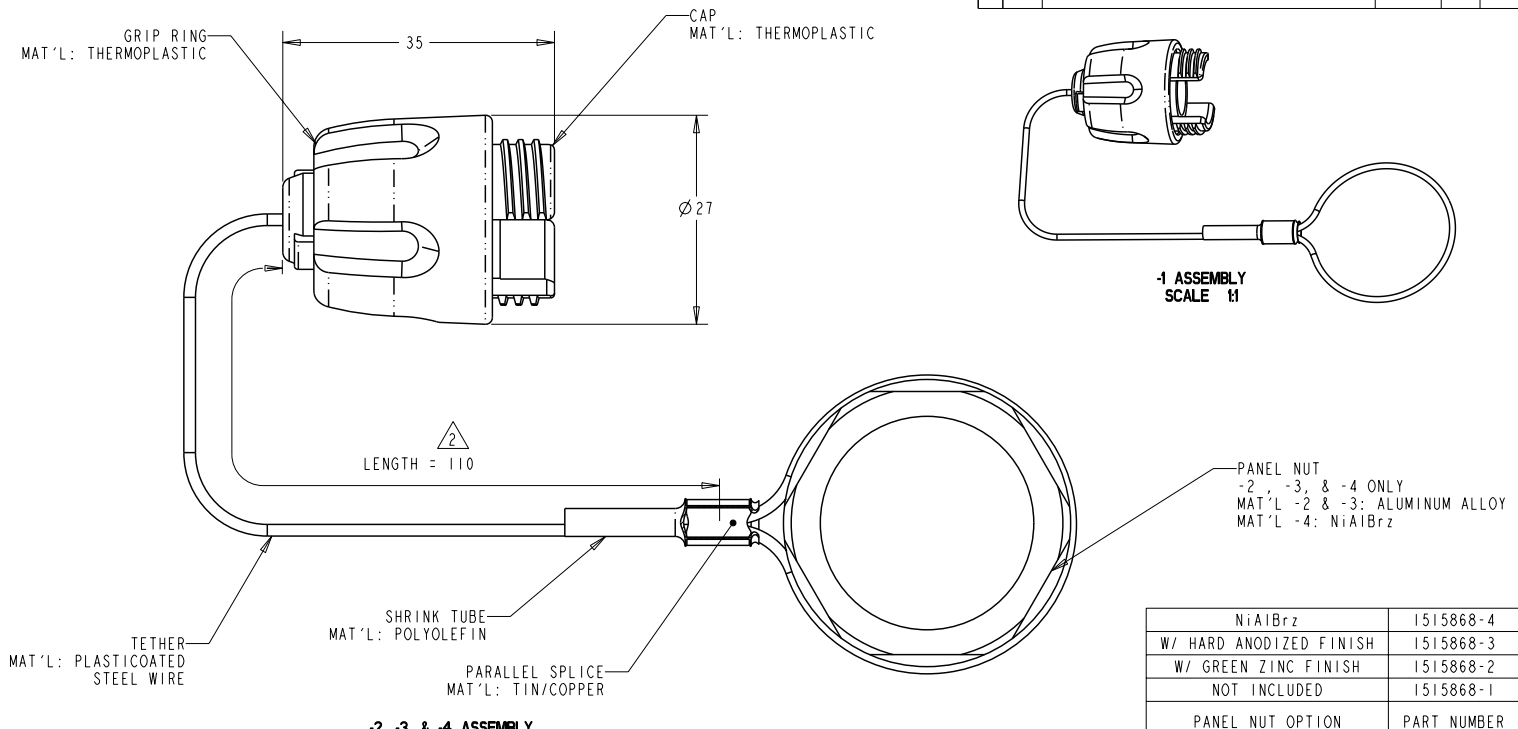
2

1

THIS DRAWING IS UNPUBLISHED. RELEASED FOR PUBLICATION 20
 © COPYRIGHT 20 BY TYCO ELECTRONICS CORPORATION. ALL INTERNATIONAL RIGHTS RESERVED.

LOC	DIST	REVISIONS			
P	LTR	DESCRIPTION	DATE	DWN	APVD
G		REVISE PER 0A00-0329-04	07JUL04	KG	DW
G1		ECR-09-026550	16DEC2009	KG	DW

1. DIMENSIONS ARE FOR REFERENCE ONLY.
 2. DIMENSIONED TO CENTER OF PARALLEL SPLICE.



<small>THIS DRAWING IS A CONTROLLED DOCUMENT FOR TYCO ELECTRONICS CORPORATION IT IS SUBJECT TO CHANGE AND THE CONTROLLING ENGINEERING ORGANIZATION SHOULD BE CONTACTED FOR THE LATEST REVISION.</small>		DWN K. GLATELTER 14OCT2002 CHN D. WERTMAN 15OCT2002 APVD D. WERTMAN 15OCT2002	Tyco Electronics Harrisburg, PA 17105-3608
DIMENSIONS: mm	TOLERANCES UNLESS OTHERWISE SPECIFIED: 0 PLC ±. 1 PLC ±. 2 PLC ±. 3 PLC ±. 4 PLC ±. ANGLES ±.	NAME PROTECTIVE CAP FOR BULKHEAD PRO BEAM JR.	RESTRICTED TO
MATERIAL AS LISTED	FINISH -	SIZE A3 CAGE CODE 00779 DRAWING NO. C-1515868	WEIGHT -
CUSTOMER DRAWING		SCALE 1:1	SHEET 1 OF 1 REV G1