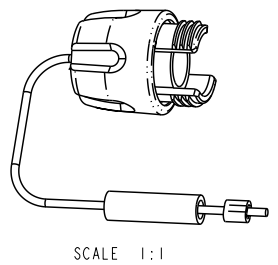
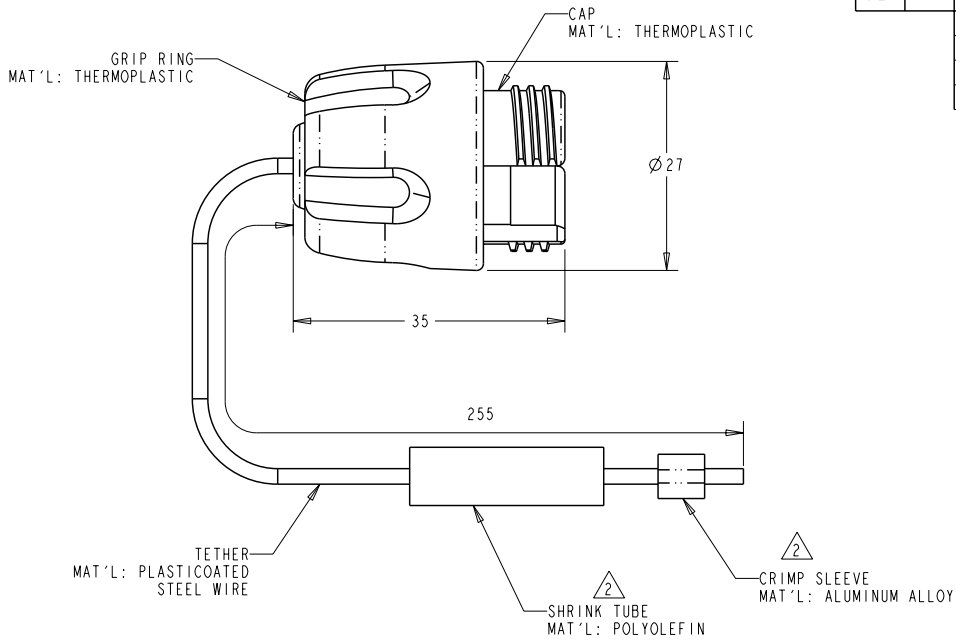


THIS DRAWING IS UNPUBLISHED. RELEASED FOR PUBLICATION
 COPYRIGHT 20 BY TYCO ELECTRONICS CORPORATION. ALL RIGHTS RESERVED.

LOC	DIST	REVISIONS				
P	LTR	DESCRIPTION	DATE	DWN	APVD	
CE	16	E	ECR-10-023531	16NOV2010	KG	DW



1. ALL DIMENSIONS ARE FOR REFERENCE ONLY.

TO BE COMPLETED BY END USER DURING CONNECTOR ASSEMBLY.

WITHOUT SHRINK TUBE AND CRIMP SLEEVE	1515867-2
AS SHOWN	1515867-1
DESCRIPTION	PART NUMBER

<small>THIS DRAWING IS A CONTROLLED DOCUMENT FOR TYCO ELECTRONICS CORPORATION IT IS SUBJECT TO CHANGE AND THE CONTROLLING ENGINEERING ORGANIZATION SHOULD BE CONTACTED FOR THE LATEST REVISION.</small>		DWN 12DEC2002 CHN K. GLATELTER D. WERTMAN 16DEC2002 APVD D. WERTMAN 17DEC2002	Tyco Electronics Harrisburg, PA 17105-3608
DIMENSIONS: mm 	TOLERANCES UNLESS OTHERWISE SPECIFIED: 0 PLC ± 1 PLC ± 2 PLC ± 3 PLC ± 4 PLC ± ANGLES ±	NAME PROTECTIVE CAP, PLUG, PRO BEAM JR. BULKHEAD PRO BEAM JR.	RESTRICTED TO
MATERIAL	FINISH	SIZE A3 CAGE CODE 00779 DRAWING NO. C-1515867	WEIGHT CUSTOMER DRAWING