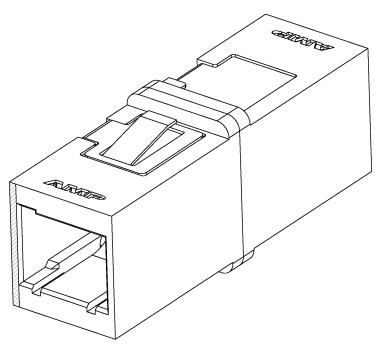
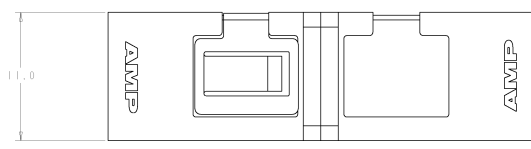
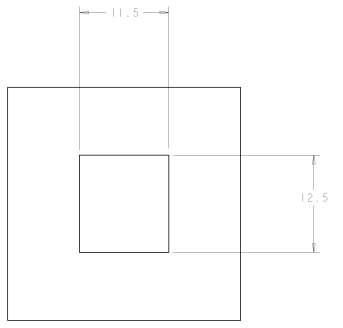
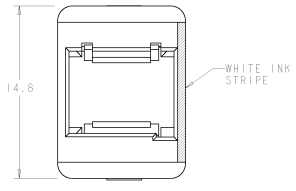
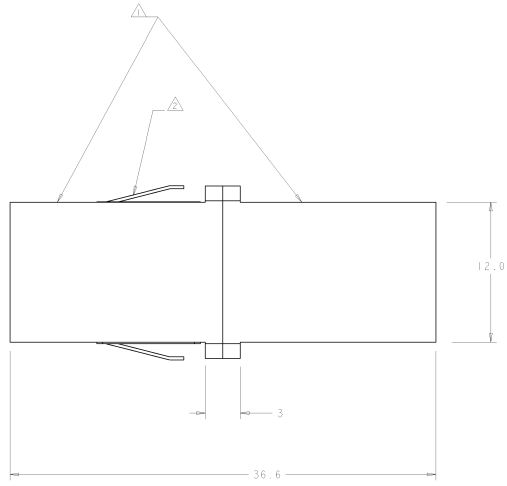
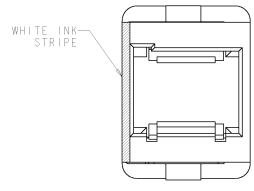


8	7	6	5	4	3	2	1
DATE APPROVED BY: [blank]	REVISED FOR FUNCTION: [blank]						
BY: [blank]	BY: [blank]						

REV	DATE	DESCRIPTION	BY	CHK	APP
17					
A		REV PER EC 0400-0403-00	BARBARA	LM	LB
B		REVISED PER EC 0400-0314-02	CHERRYL	ES	AP
C		REV PER EC 0400-0172-04	BARBARA	ER	AP



▲ HOUSING MATERIAL:  
 PBT 30% GLASS FILLED, UL 94 V-0  
 COLOR: BLACK.  
 ▲ RETENTION CLIP MATERIAL:  
 STAINLESS STEEL.



SUGGESTED PANEL CUT-OUT  
SCALE 4:1

1374650-1  
PART NUMBER

REVISED FOR FUNCTION: [blank] DATE APPROVED BY: [blank]		DATE: [blank]		<b>AMP</b>		AMP CORPORATION BANGOR, PA 17003-1808	
MATERIAL: [blank]		FINISH: [blank]		DESCRIPTION: COUPLING BUSHING ASSY, SMALL FLANGE, LIGHTRAY MPX		TITLE: [blank]	
PART NUMBER: 1374650		REV: 00779		DATE: 1374650		BY: [blank]	
CUSTOMER DRAWING: [blank]		[blank]		[blank]		[blank]	