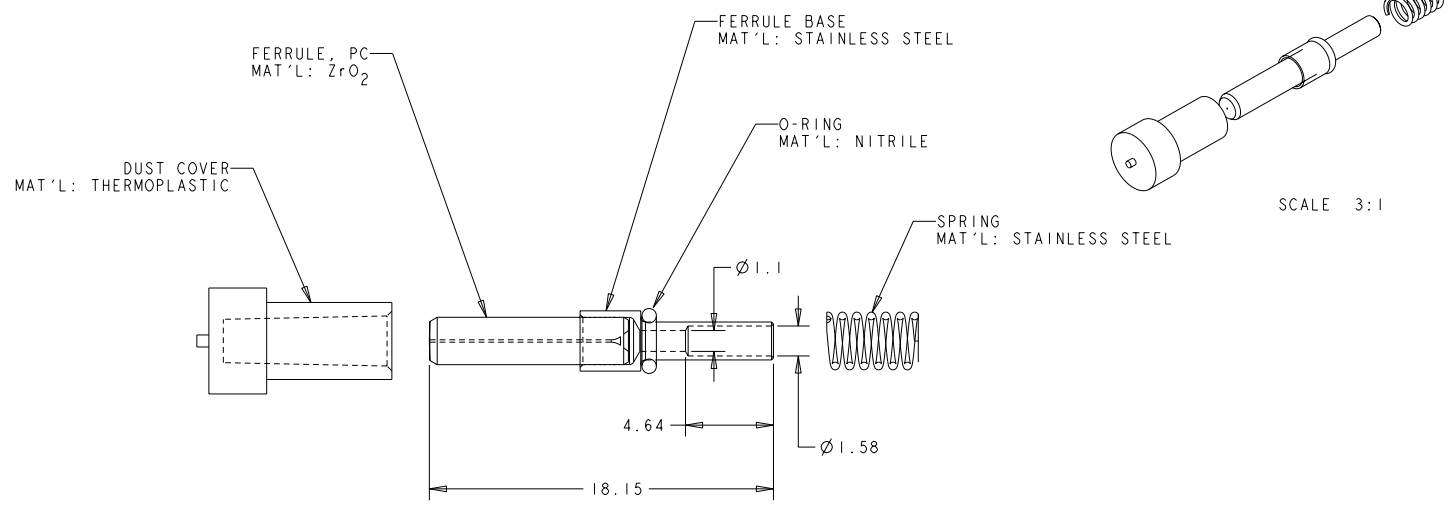


THIS DRAWING IS UNPUBLISHED. RELEASED FOR PUBLICATION 20
 © COPYRIGHT 20 BY TYCO ELECTRONICS CORPORATION, ALL RIGHTS RESERVED.

LOC CE DIST 16

| REVISIONS | | | | | |
|-----------|-----|--------------------------|---------|-----|------|
| P | LTR | DESCRIPTION | DATE | DWN | APVD |
| I | | PPR 04-646 | 11JUN04 | KG | DW |
| A | | RELEASE PER 0A00-0345-04 | 21JUL04 | KG | DW |
| B | | ECR-05-017300 | 12DEC05 | KG | DW |

1. ALL DIMENSIONS ARE FOR REFERENCE ONLY.



| | |
|---------------------|-------------|
| 125.5um | 1754700-3 |
| 126um | 1754700-2 |
| 125um | 1754700-1 |
| FIBER HOLE DIAMETER | PART NUMBER |

| | | | |
|---|---|---|--|
| <small>THIS DRAWING IS A CONTROLLED DOCUMENT FOR TYCO ELECTRONICS CORPORATION IT IS SUBJECT TO CHANGE AND THE CONTROLLING AUTHORITY ORGANIZATION SHOULD BE CONTACTED FOR THE LATEST REVISION.</small> | | DWN 04 JUN 2004 K. GLATFELTER CHK 08 JUN 2004 D. WERTMAN APVD 11 JUN 2004 D. WERTMAN | tyco Electronics Tyco Electronics Harrisburg, PA 17105-3608 |
| DIMENSIONS: mm | TOLERANCES UNLESS OTHERWISE SPECIFIED: 0 PLC ± 1 PLC ± 2 PLC ± 3 PLC ± 4 PLC ± ANGLES ± FINISH N/A | NAME FERRULE KIT, SEALED, PC, MINI EB | RESTRICTED TO - |
| MATERIAL AS LISTED | WEIGHT - | SIZE A3 CAGE CODE 00779 DRAWING NO. C=1754700 | CUSTOMER DRAWING |

AMP 1470-19 REV 31MAR2000

SCALE 5:1 SHEET 1 OF 1 REV B