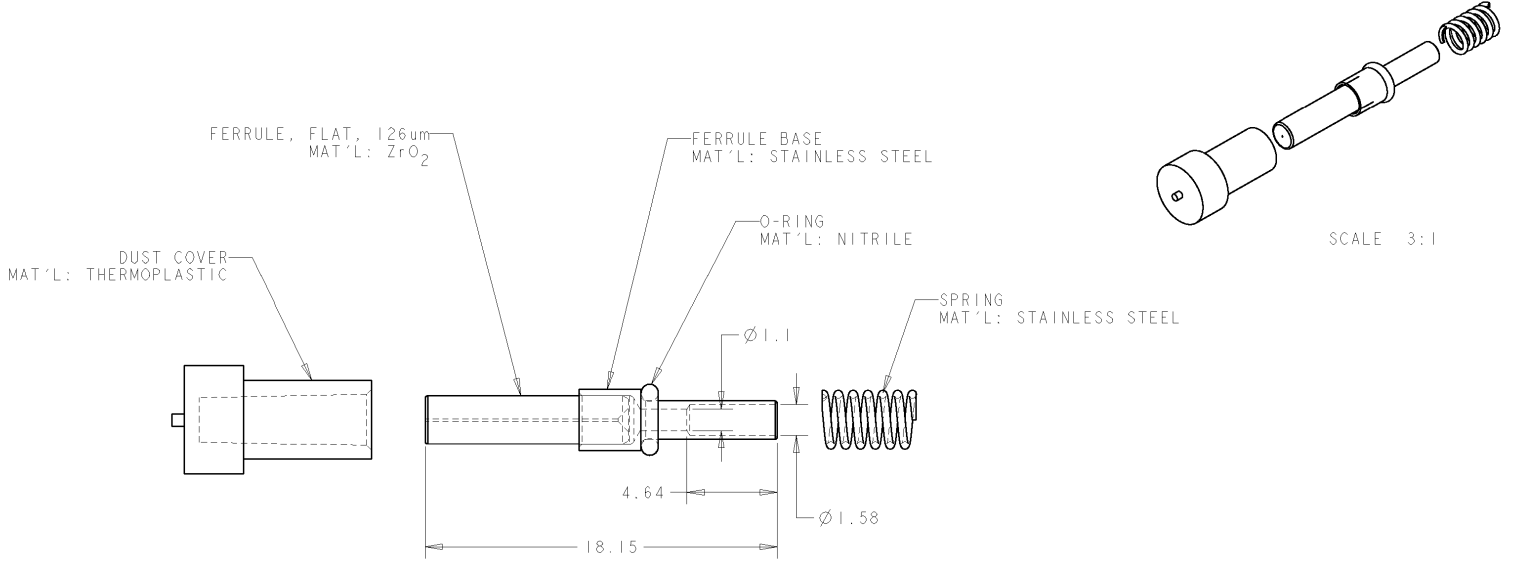


THIS DRAWING IS UNPUBLISHED. RELEASED FOR PUBLICATION  
 © COPYRIGHT 20 BY TYCO ELECTRONICS CORPORATION. ALL RIGHTS RESERVED.

LOC	DIST	REVISIONS				
P	LTR	DESCRIPTION	DATE	DWN	APVD	
		PPR 04-646	11JUN04	KG	DW	
	A	RELEASE PER 0A00-0345-04	21JUL04	KG	DW	

1. ALL DIMENSIONS ARE FOR REFERENCE ONLY.



SCALE 3:1

1754699-1  
 PART NUMBER

<small>THIS DRAWING IS A CONTROLLED DOCUMENT FOR TYCO ELECTRONICS CORPORATION          IT IS SUBJECT TO CHANGE AND THE CONTROLLING ENGINEERING ORGANIZATION          SHOULD BE CONTACTED FOR THE LATEST REVISION.</small>		DWN 03JUN2004 K. GLATFELTER CHN 08JUN2004 D. WERTMAN APVD 11JUN2004 D. WERTMAN	<b>tyco</b> Electronics Tyco Electronics Harrisburg, PA 17105-3608
DIMENSIONS: mm 	TOLERANCES UNLESS OTHERWISE SPECIFIED: 0 PLC ± 1 PLC ± 2 PLC ± 3 PLC ± 4 PLC ± ANGLES ±	NAME FERRULE KIT, SEALED, FLAT, 126um, MINI EB	RESTRICTED TO -
MATERIAL AS LISTED FINISH N/A	WEIGHT - CUSTOMER DRAWING	SIZE A3 CAGE CODE 00779 DRAWING NO. C-1754699	SCALE 5:1 SHEET 1 OF 1 REV A