

4

3

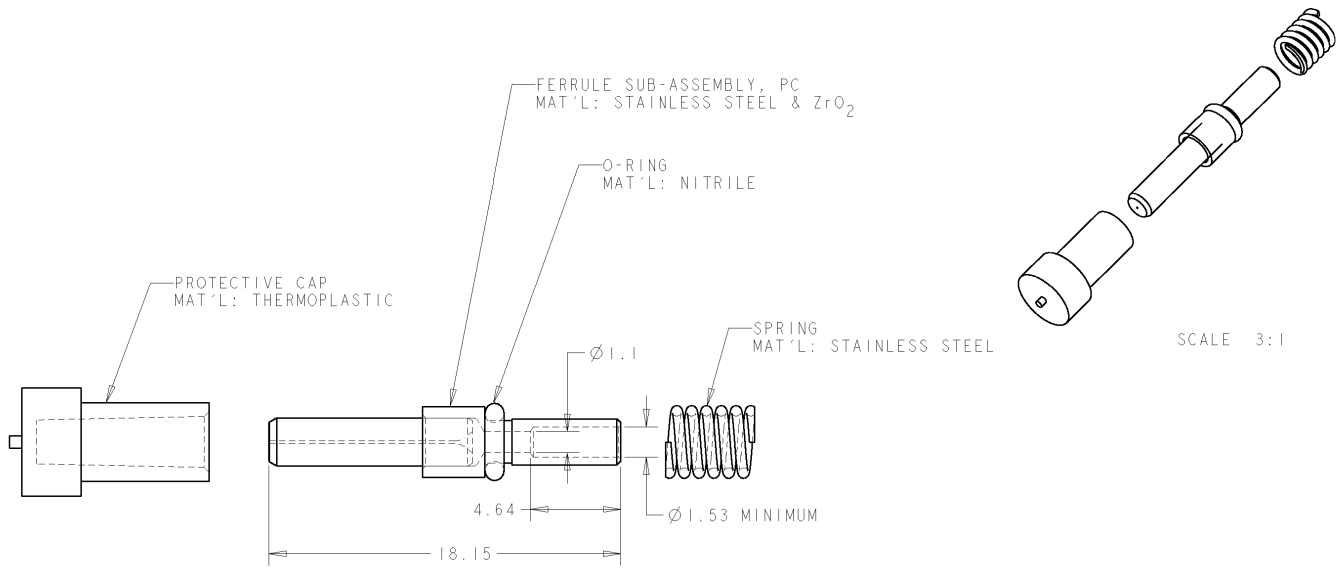
2

1

THIS DRAWING IS UNPUBLISHED. RELEASED FOR PUBLICATION 20  
 © COPYRIGHT 20 BY TYCO ELECTRONICS CORPORATION. ALL RIGHTS RESERVED.

LOC	DIST	REVISIONS				
P	LTR	DESCRIPTION	DATE	DWN	APVD	
		PPR 02-548	03FEB03	KG	DW	
		RELEASE PER 0A00-0145-03	15APR03	KG	DW	
		REVISE PER 0A00-0118-04	13APR04	KG	DW	

1. ALL DIMENSIONS ARE FOR REFERENCE ONLY.



125um	1588908-2
126um	1588908-1
FIBER HOLE DIAMETER	PART NUMBER

<small>THIS DRAWING IS A CONTROLLED DOCUMENT FOR TYCO ELECTRONICS CORPORATION          IT IS SUBJECT TO CHANGE AND THE CONTROLLING ENGINEERING ORGANIZATION          SHOULD BE CONTACTED FOR THE LATEST REVISION.</small>		DWN 31 JAN 2003 K. GLATFELTER CHR 31 JAN 2003 D. WERTMAN APVD 31 JAN 2003 D. WERTMAN	<b>tyco</b> <b>Electronics</b> Tyco Electronics Harrisburg, PA 17105-3608
DIMENSIONS: mm 	TOLERANCES UNLESS OTHERWISE SPECIFIED: 0 PLC ± 1 PLC ± 2 PLC ± 3 PLC ± 4 PLC ± ANGLES ±	NAME FERRULE KIT, SEALED, SINGLEMODE, PRO BEAM JR.	RESTRICTED TO -
MATERIAL AS LISTED FINISH N/A	WEIGHT - CUSTOMER DRAWING	SIZE A3 CAGE CODE 00779 DRAWING NO. C-1588908	SCALE 5:1 SHEET 1 OF 1 REV B

AMP 1470-19 REV 31MAR2000  
 Proj/ENGINEER DRAWING