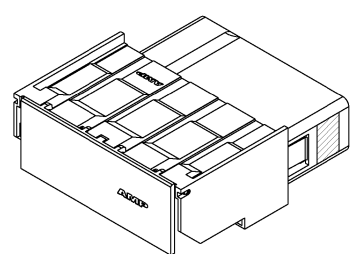
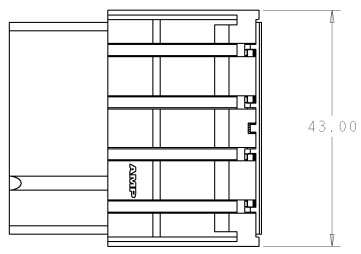
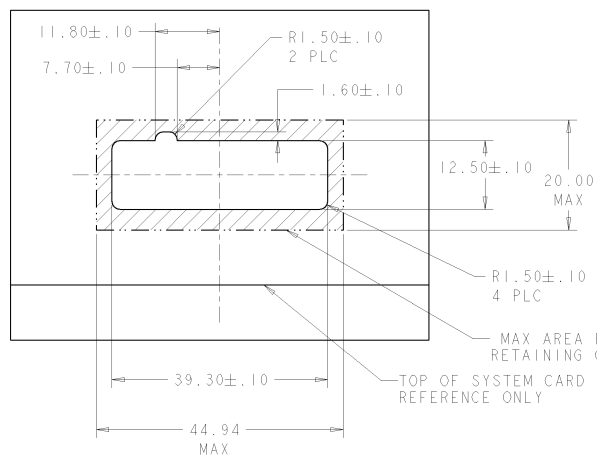


THIS DRAWING IS UNPUBLISHED. RELEASED FOR PUBLICATION  
 (C) COPYRIGHT 20 BY TYCO ELECTRONICS CORPORATION. ALL RIGHTS RESERVED.

REV. NO.	DATE	DESCRIPTION	BY	CHKD
1	16 JAN 06	DRAWN	EW	AP

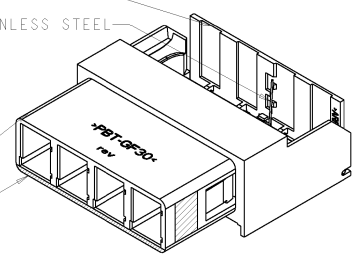


SCALE 2:1 PIN MATERIAL: SST

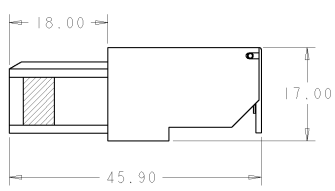
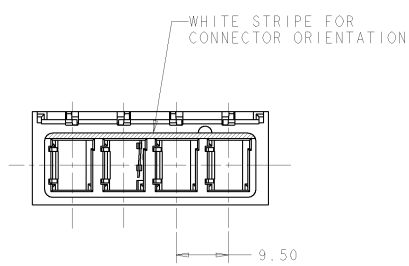
SUGGESTED PANEL CUT-OUT  
 LOOKING FROM SYSTEM CARD SIDE

HOUSING; MATERIAL: GLASS FILLED THERMOPLASTIC

WHITE STRIPE FOR  
 CONNECTOR ORIENTATION



SCALE 2:1



**NOTE:**  
 1. HOUSING DESIGNED TO BE INSTALLED WITH RETENTION CLIP P/N 1278530-1, USING SEATING TOOL, P/N 1278945-2 AND MOTHERBOARD SUPPORT, P/N 1278944-1. REFER TO INSTRUCTION SHEET 408-8332.

6278529-1  
 PART NUMBER

DIMENSIONS:		DRAWN		DATE		tyco		AMP Incorporated	
mm		E. HALEY		16 JAN 06		Electronics		Harrisburg, PA 17105-3400	
GENERAL TOLERANCES:		CHKD		DATE		PRODUCT SPEC		BOARD FOR QUAD LAYOUT	
Ø PLC		APPRO		DATE		APPLICATION SPEC		SIZE CASE CODE DRAWING NO	
PLC		APPRO		DATE		WEIGHT		A2007790-6278529	
PLC		APPRO		DATE		FINISH		RESTRICTED TO	
PLC		APPRO		DATE		CUSTOMER DRAWING		SCALE 2:1 SHEET 1 OF 1 REV A	

AMP 1471-9 REV 310402000