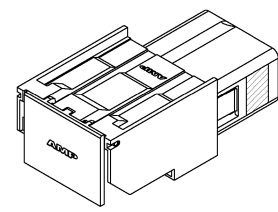
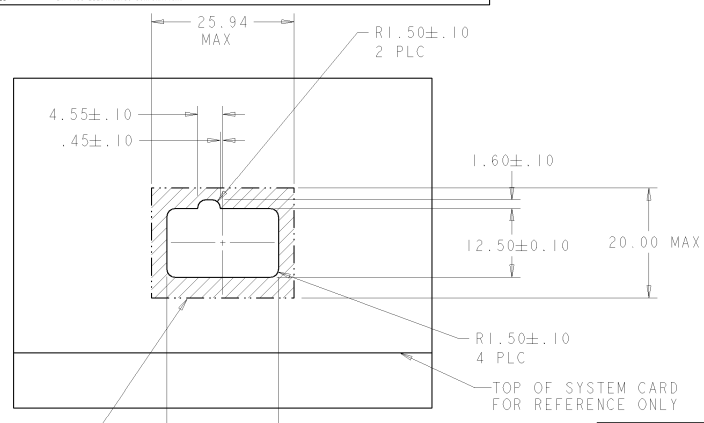
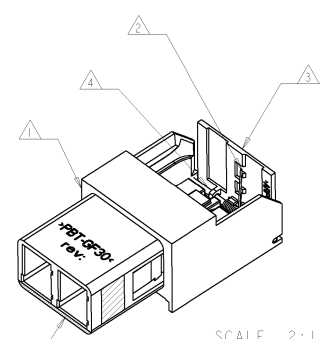


THIS DRAWING IS UNPUBLISHED. RELEASED FOR PUBLICATION BY TICO ELECTRONICS CORPORATION. ALL RIGHTS RESERVED. (C) COPYRIGHT 2000

REV. NO.	DATE	BY	CHKD	DESCRIPTION
1	16 JAN 06	ER	AP	DRAWN



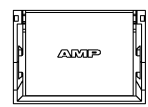
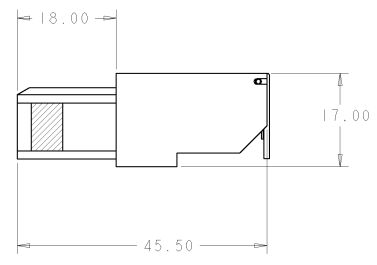
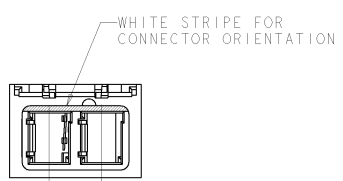
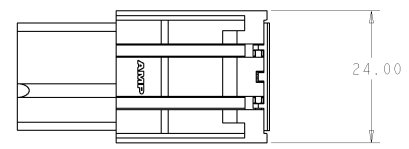
SCALE 2:1



SCALE 2:1

WHITE STRIPE FOR CONNECTOR ORIENTATION

MAX AREA FOR RETENTION CLIP
SUGGESTED PANEL CUT-OUT
LOOKING FROM SYSTEM CARD SIDE
SCALE 2:1



- NOTES:**
- 1 HOUSING MATERIAL: GLASS FILLED THERMOPLASTIC.
 - 2 SHUTTER SPRING MATERIAL: STAINLESS STEEL.
 - 3 SHUTTER MATERIAL: THERMOPLASTIC
 - 4 PIN MATERIAL: SST
- 5 HOUSING DESIGNED TO BE INSTALLED WITH RETENTION CLIP P/N 1278530-2, USING SEATING TOOL, P/N 1278945-4, AND MOTHERBOARD SUPPORT, P/N 1278944-2. REFER TO INSTRUCTION SHEET 408-8332.

6374493-1
PART NUMBER

<small>TOP DIMENSIONS IN PARENTHESES ARE FOR INFORMATION ONLY. DIMENSIONS IN PARENTHESES ARE FOR INFORMATION ONLY. DIMENSIONS IN PARENTHESES ARE FOR INFORMATION ONLY.</small>		DWG: CE DATE: 16 JAN 06 CHKD: CE DATE: 16 JAN 06 APPR: AP DATE: 16 JAN 06	AMP Tico Electronics Harrisburg, PA 17105-3600
DIMENSIONS: mm (INCHES)	DIMENSIONS: mm (INCHES)	PRODUCT SPEC: APPLICATION SPEC: WEIGHT: FINISH:	PART NUMBER: BACKPLANE HOUSING ASSEMBLY, 15GHTRAY MPX, 1X2 VERTICAL W/SHUTTER SIZE: CASE CODE: DRAWING NO: A2007790-6374493 SCALE: 2:1 SHEET 1 OF 1 REV A